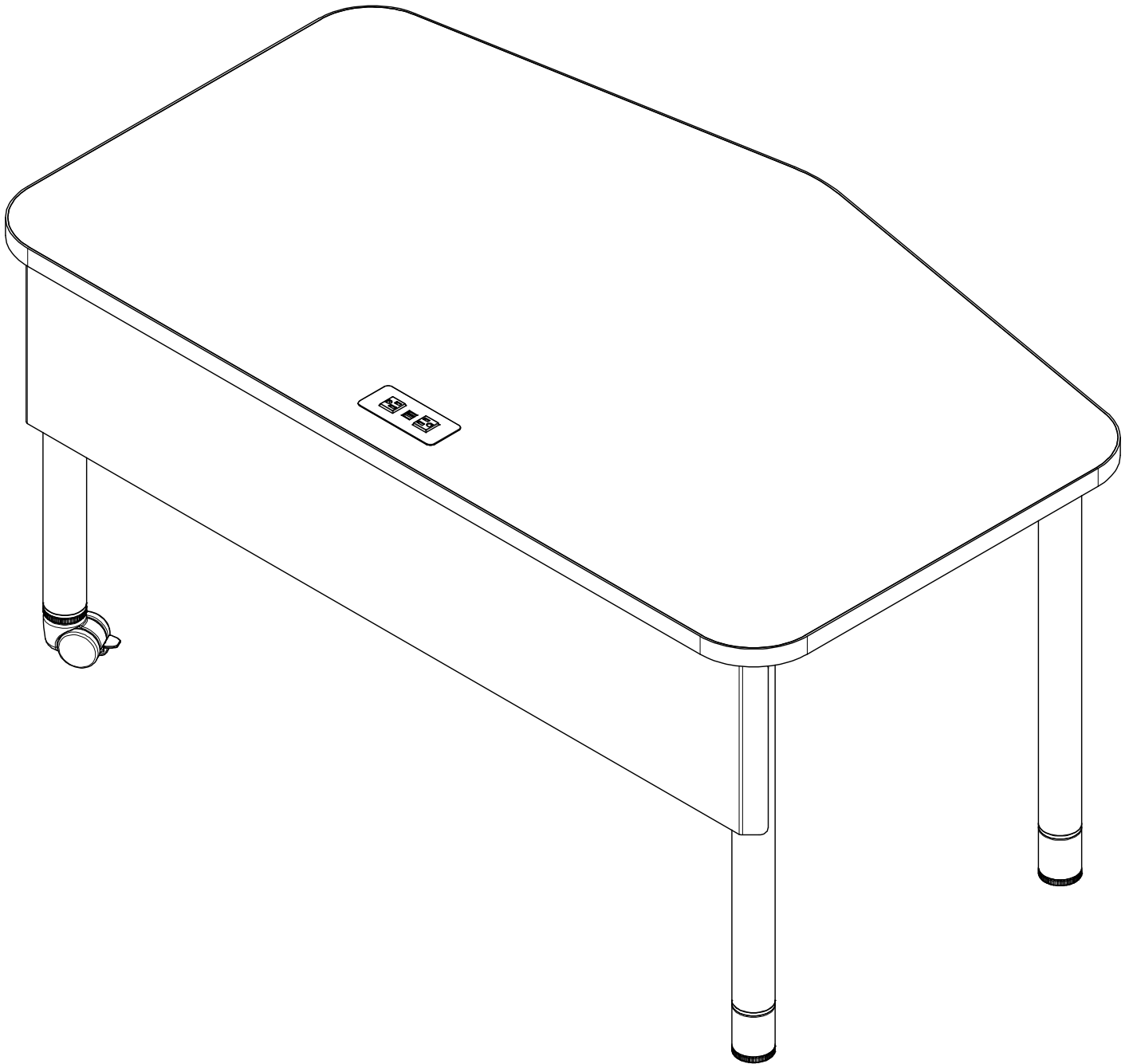


the dynamic

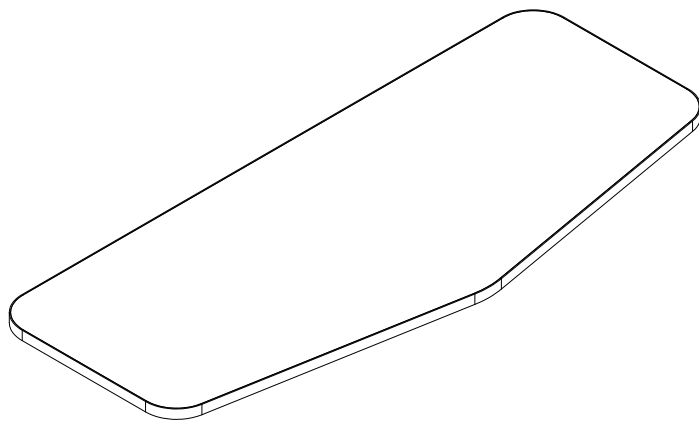
Panther

Installation Instructions

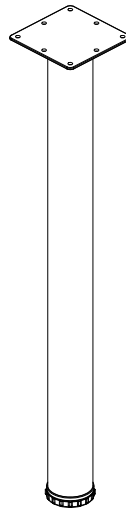


You should have

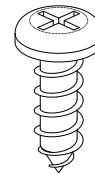
see unit schedule for actual quantities



top



leg



#50080

You might have

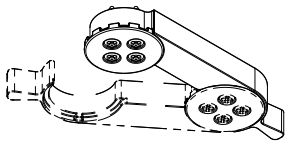
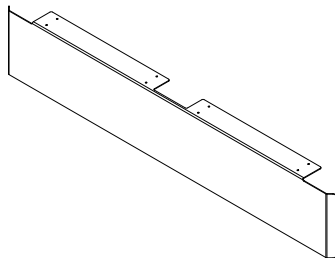
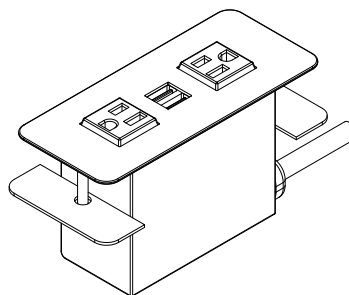


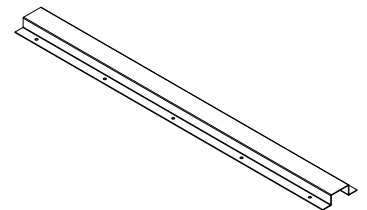
table connector



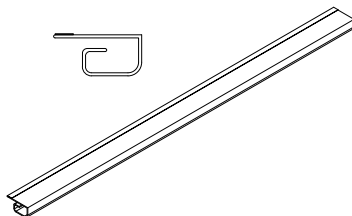
modesty panel



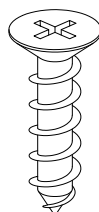
cove power unit



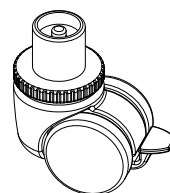
stress bar



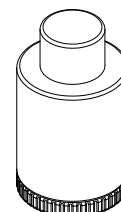
j-wire manager



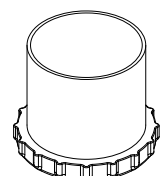
#50002



caster



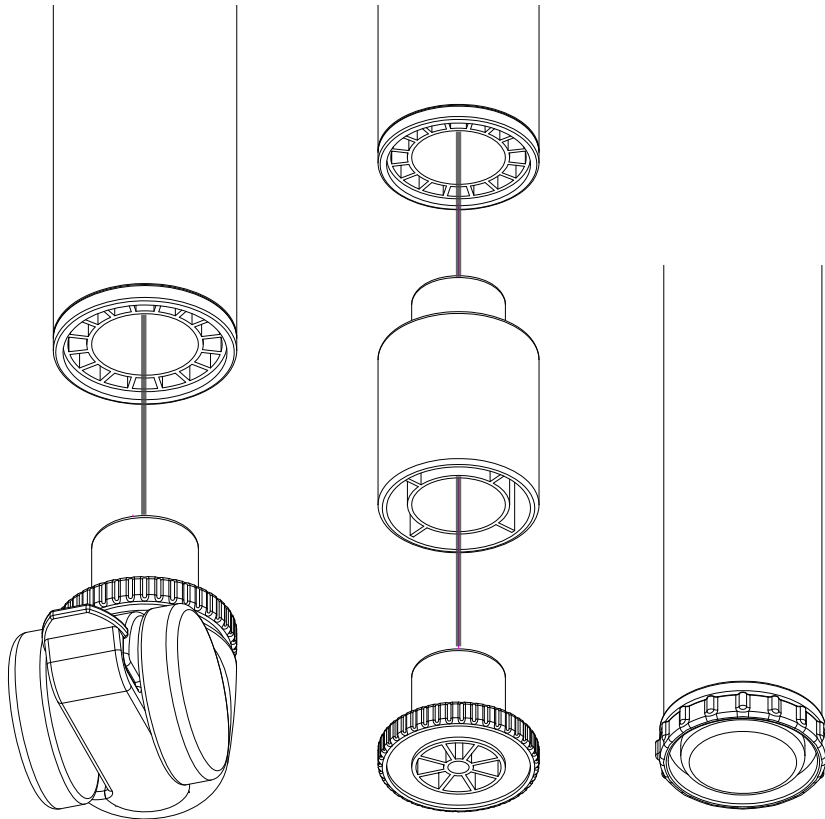
spacer



leveler

Core Parts Assembly

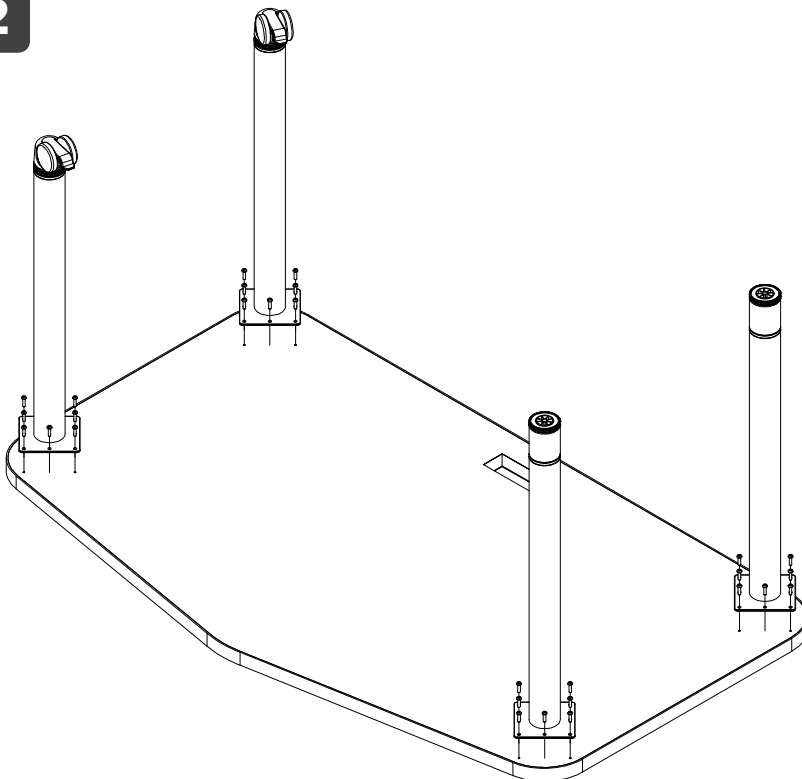
1



Caster & Spacer Assembly

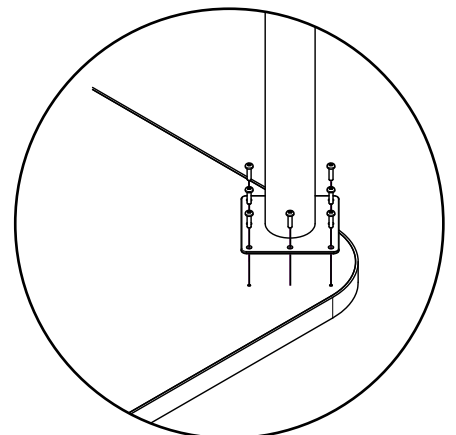
- For mobile legs screw in the caster.
- For spacer legs, screw the spacer into the leg, and the leveler into the spacer.
- For non-mobile tables, skip this step.

2

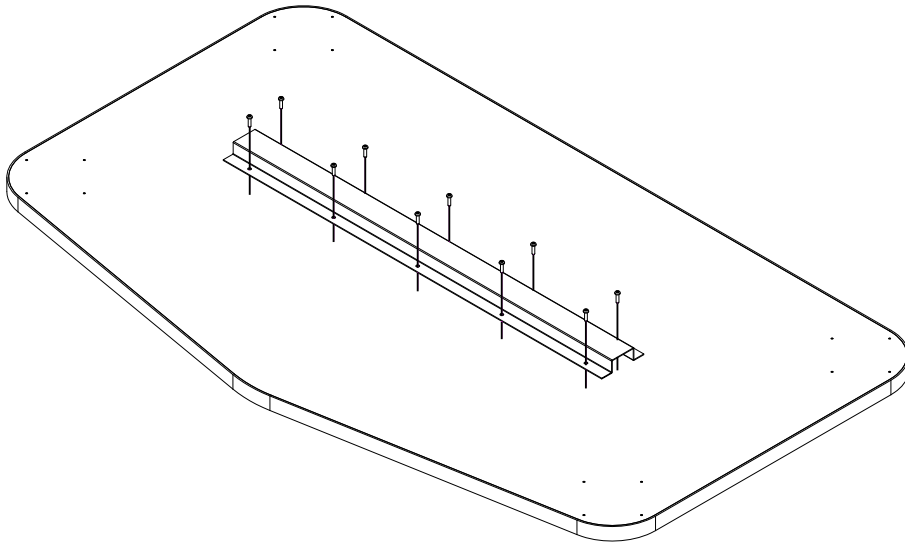


Leg Assembly

- Assemble each leg using the pre-drilled holes using screw #50080.

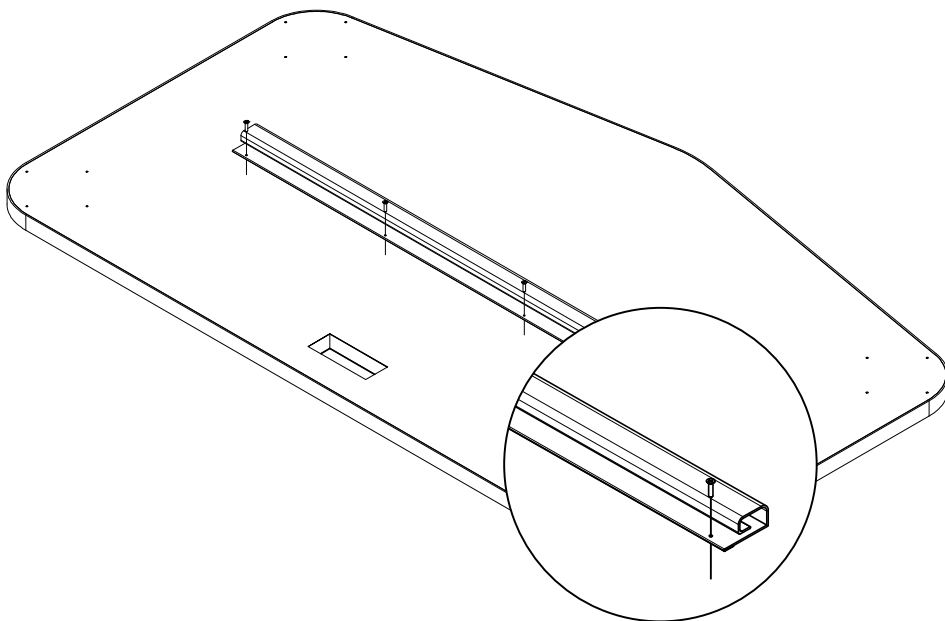
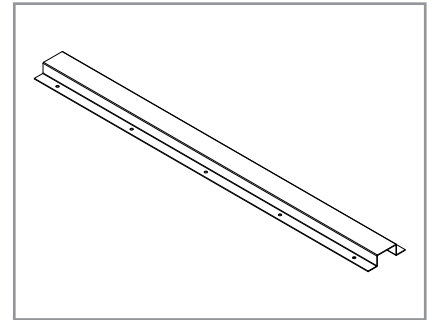


Installation of Upgrades & Accessories *(optional)*



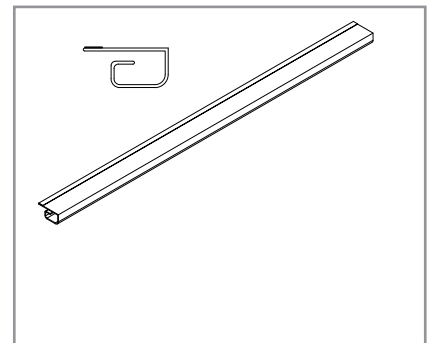
Stress Bar

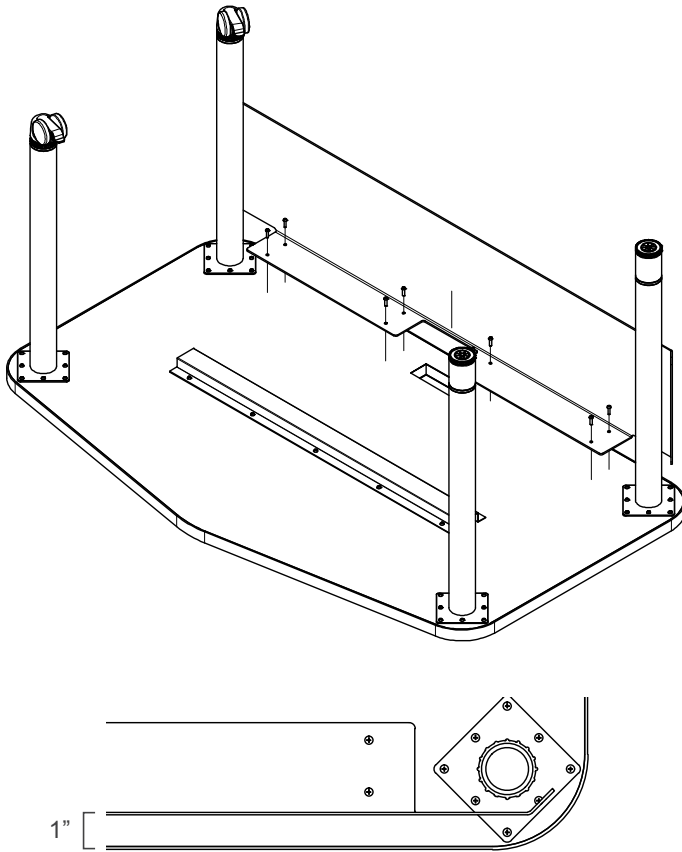
- Center the stress bar on the bottom side of the top and attach using screws #50080.



J-wire Manager

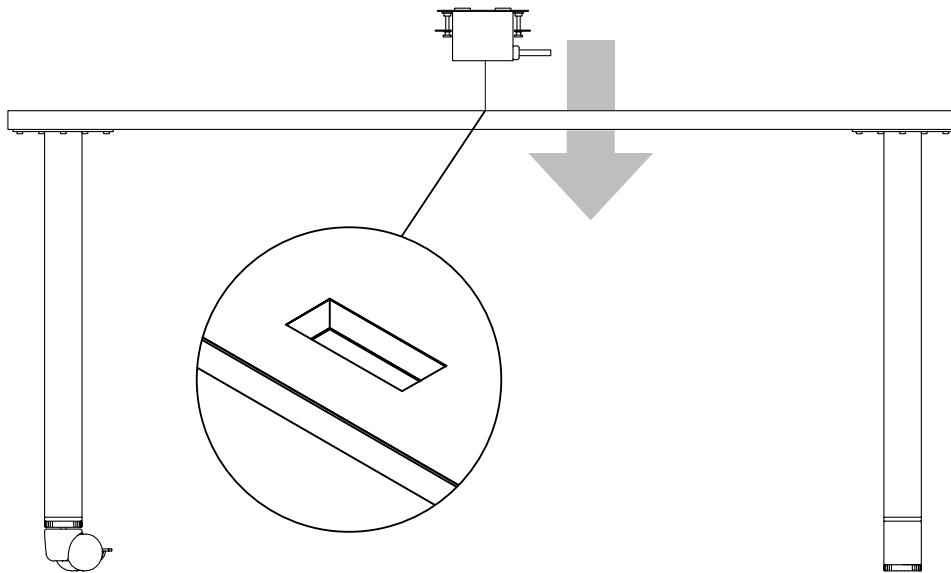
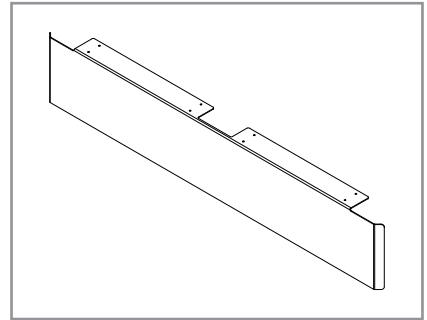
- Use the double sided tape to locate the j-wire manager, then attach using screws #50002.





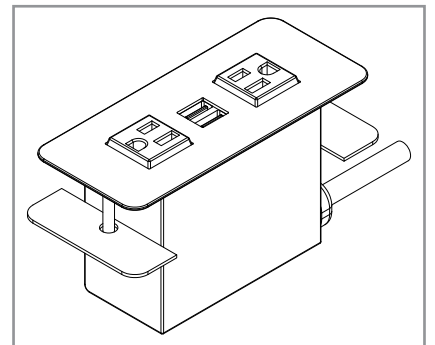
Modesty Panel

- Locate the modesty panel centered length wise on the table, and 1" back from the edge. Attach using screw #50080.



Power Unit

- Place the power unit into the cutout on the table top. Then screw in the two back plates from underneath the table using the included thumb screws.



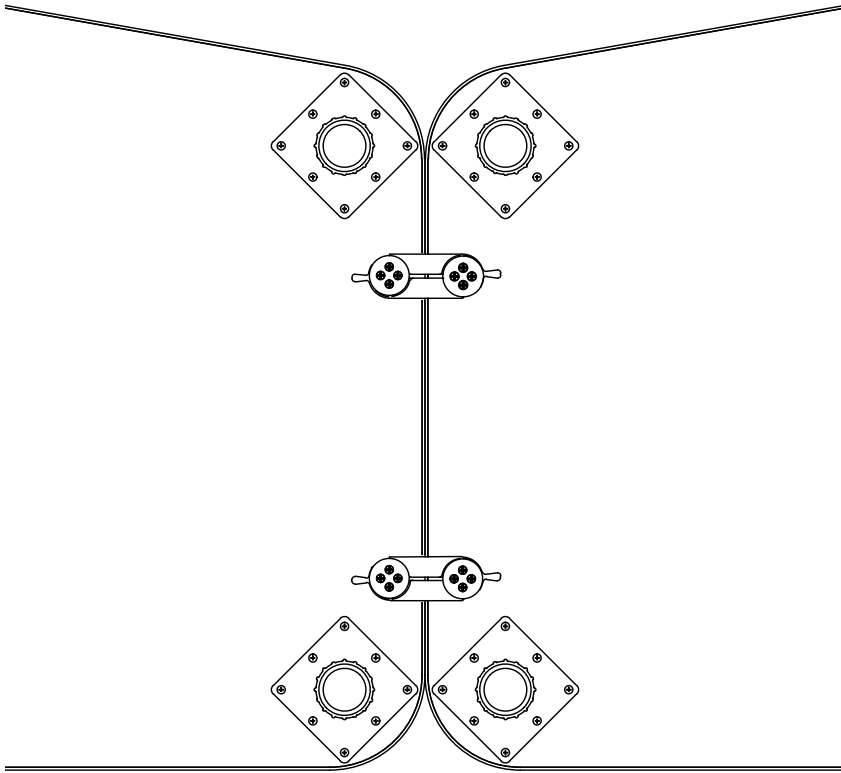
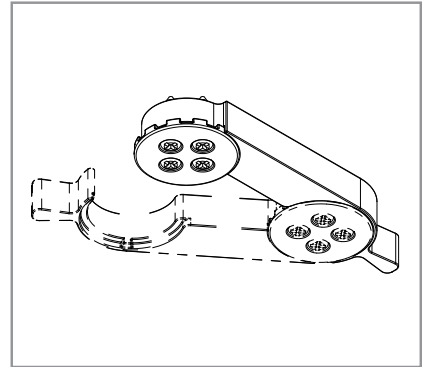
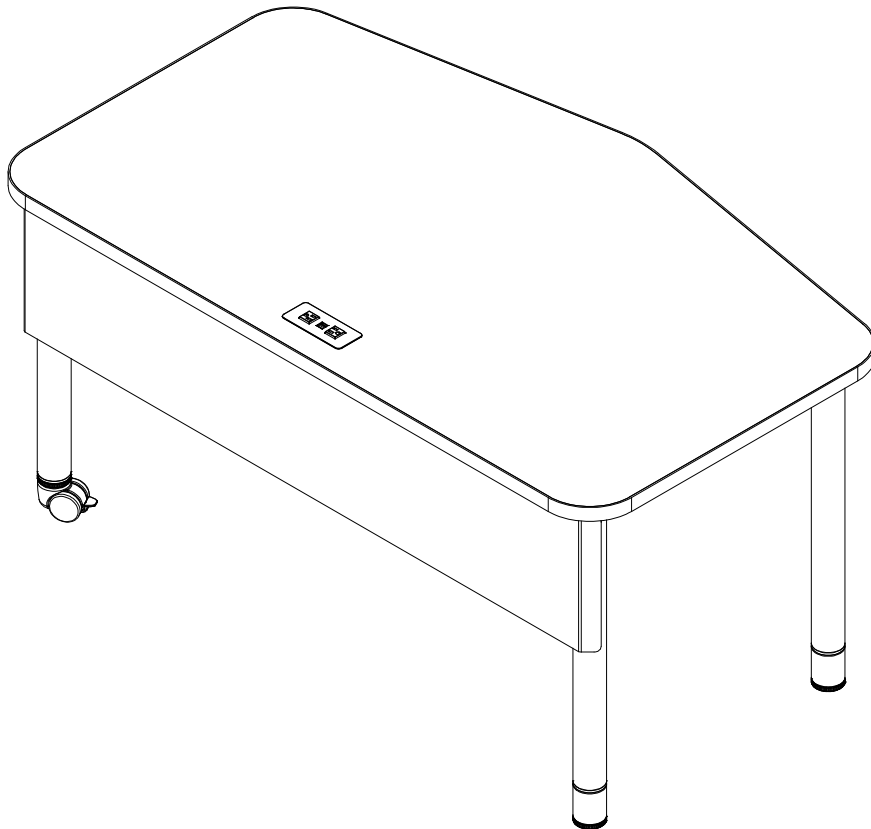


Table Connectors

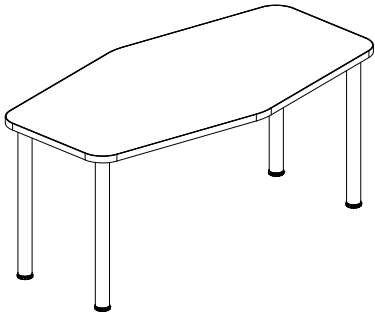
- Screw in 2 table connectors to each table in the desired configuration.



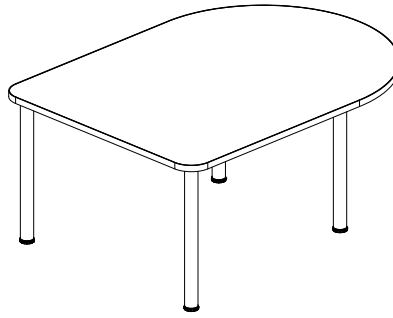
3



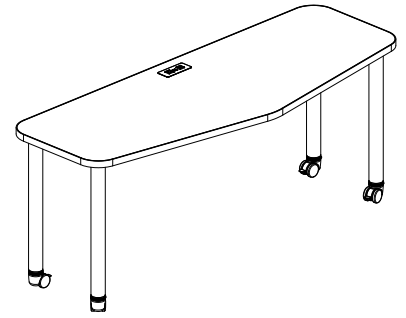
Top Shapes



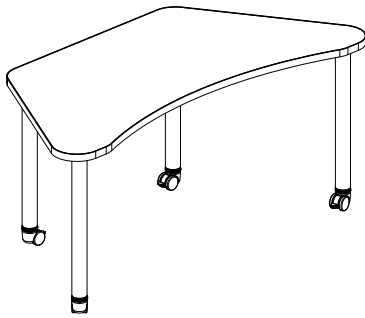
Boat Top



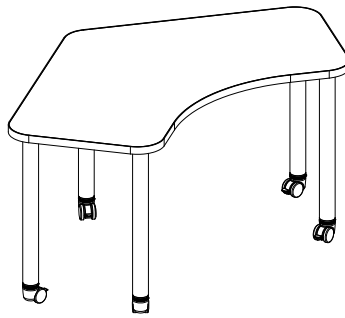
Bullet Top



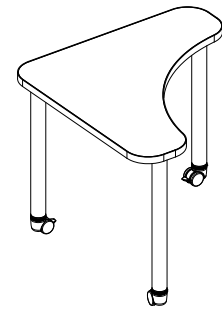
Envelope Top



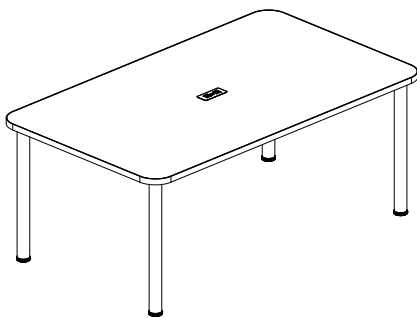
Game Top



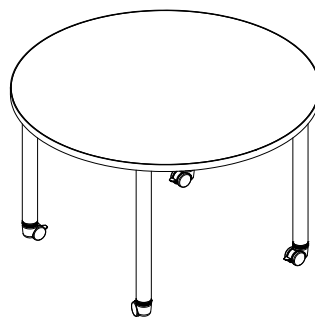
Pod Top



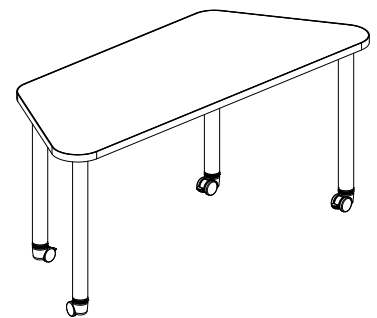
Quad Top



Rectangle Top



Round Top



Trapezoid Top



design the furniture. *innovate* the space. *engage* the users.

liatfurniture.com

694 North Main Street · Troutman, NC 28166
TF 888 440 8205 · F 704 528 6519