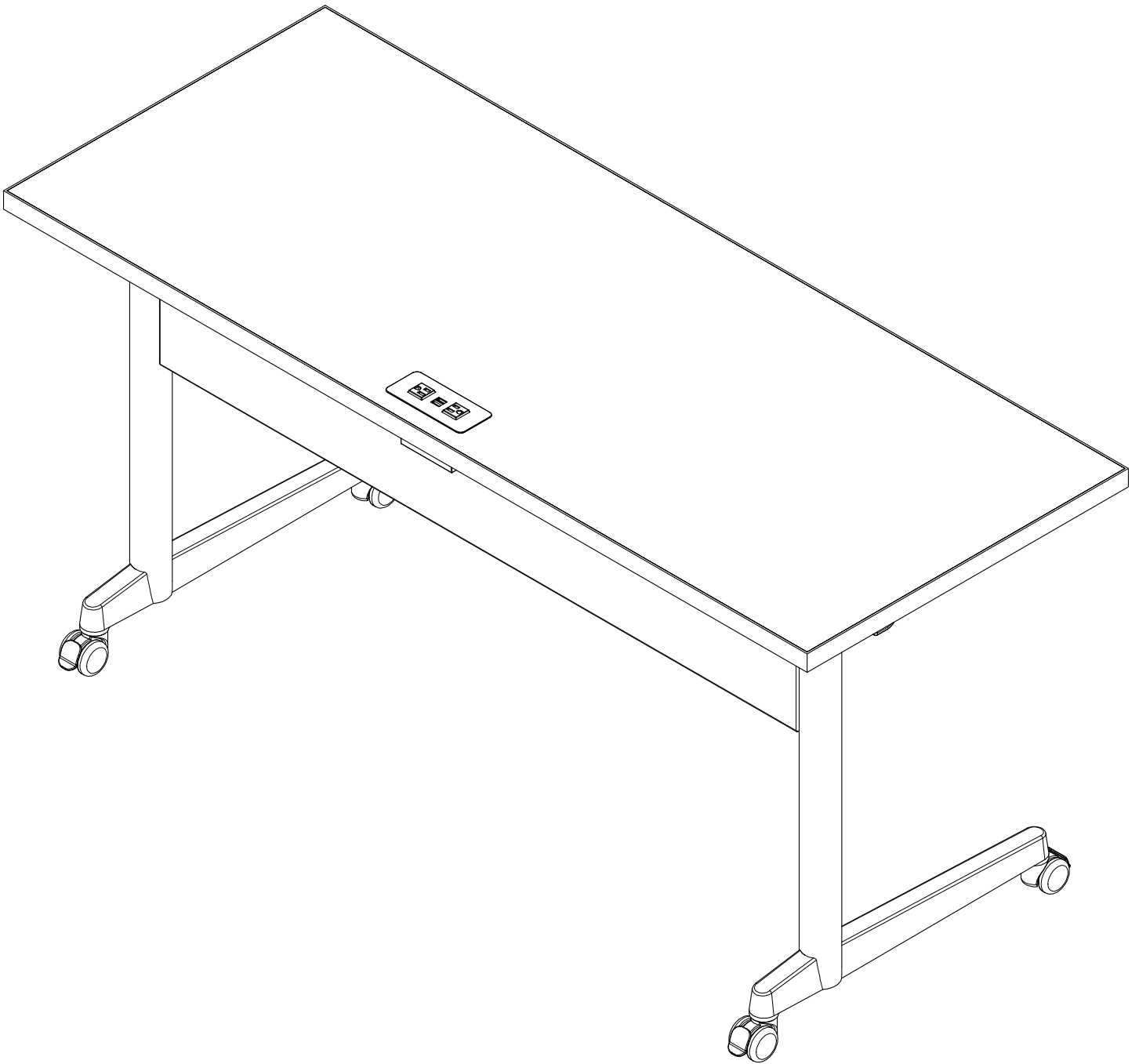


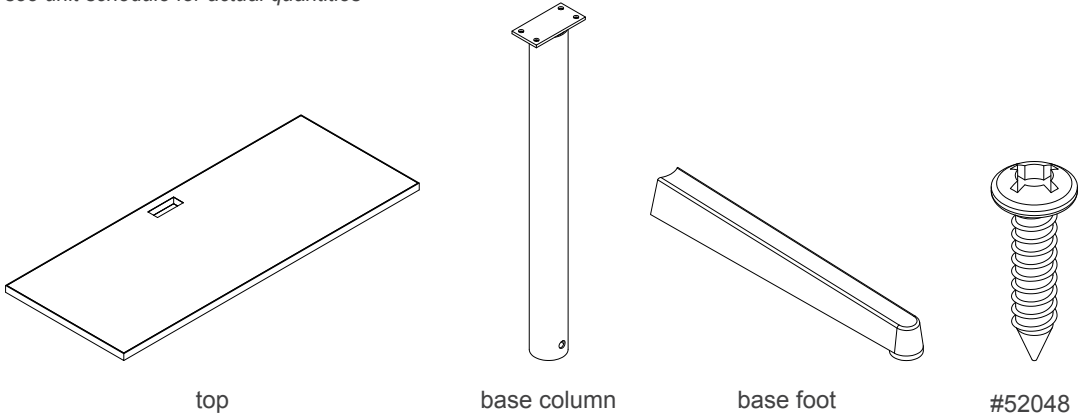
the flexible
Nash

Installation Instructions



You should have

see unit schedule for actual quantities



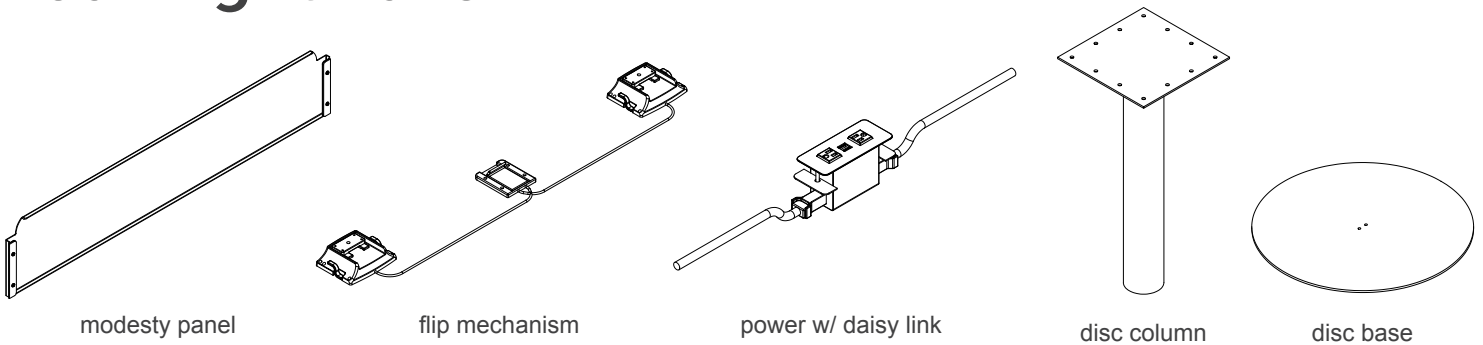
top

base column

base foot

#52048

You might have



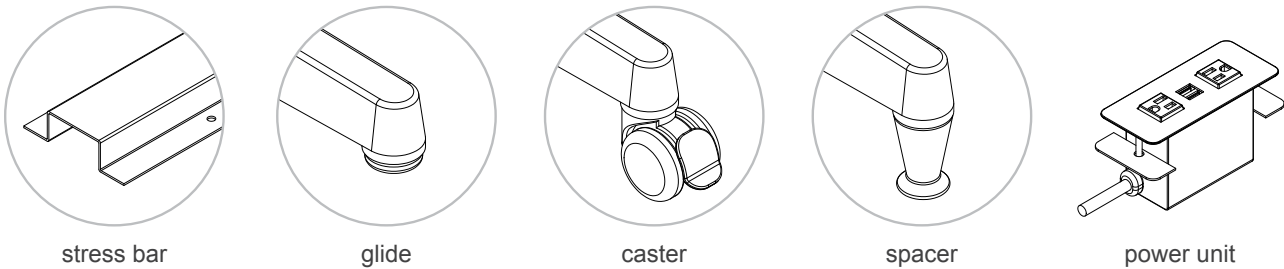
modesty panel

flip mechanism

power w/ daisy link

disc column

disc base



stress bar

glide

caster

spacer

power unit

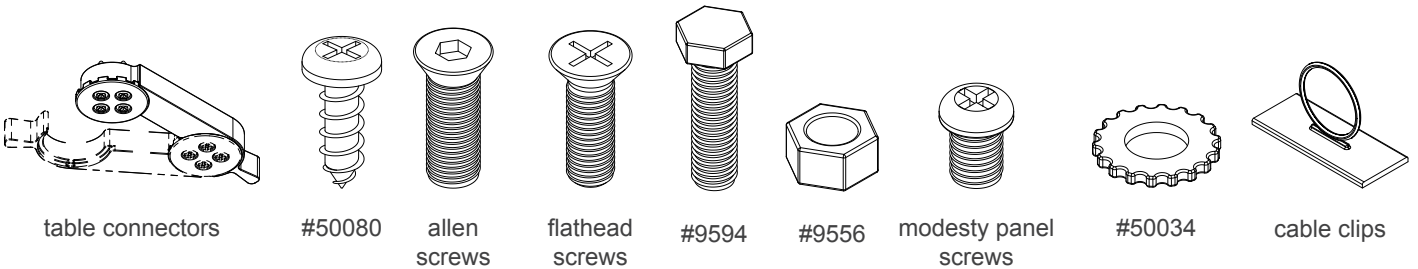


table connectors

#50080

allen screws

flathead screws

#9594

#9556

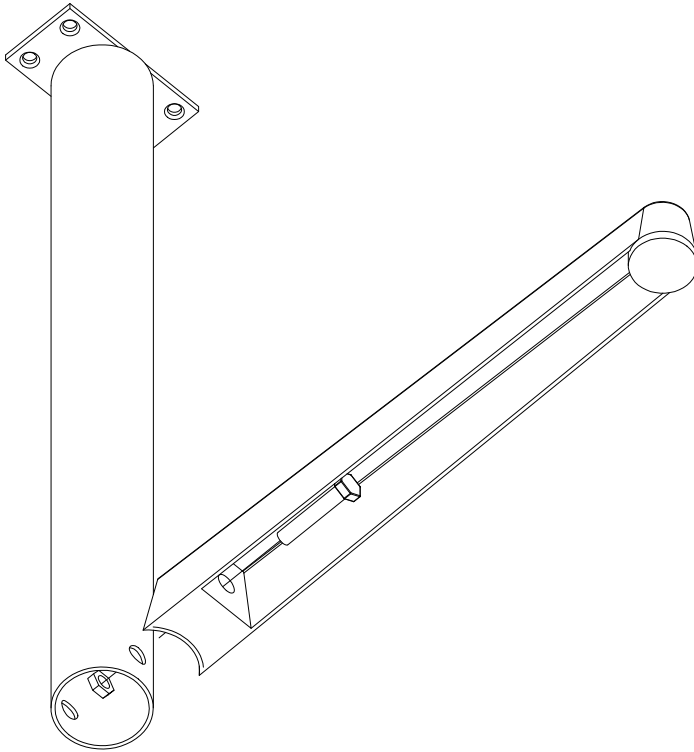
modesty panel screws

#50034

cable clips

Core Parts Assembly

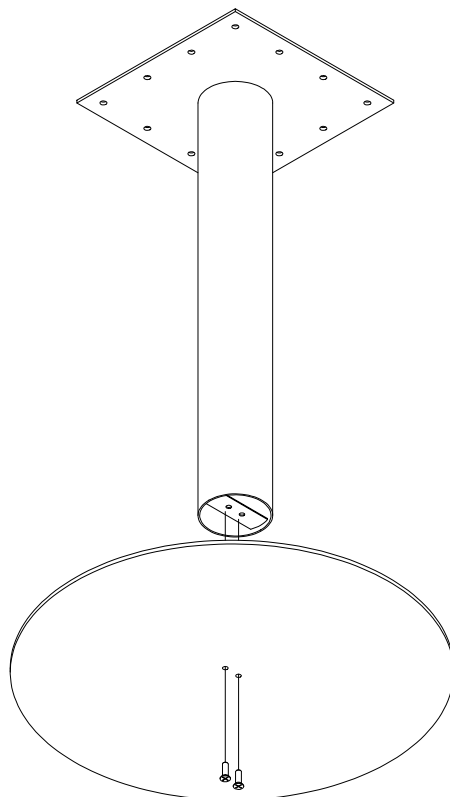
1



Base Assembly

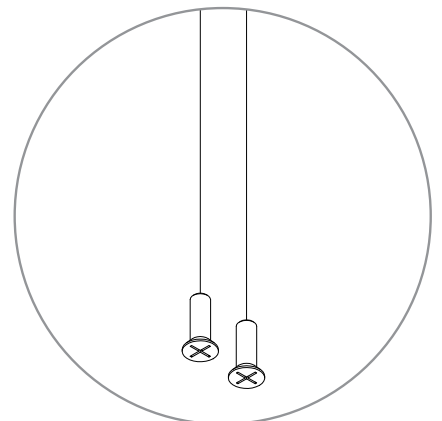
- Attach the legs to the base column using bolt #9594 and nut #9556.
**tighten using 9/16" wrenches.*

2

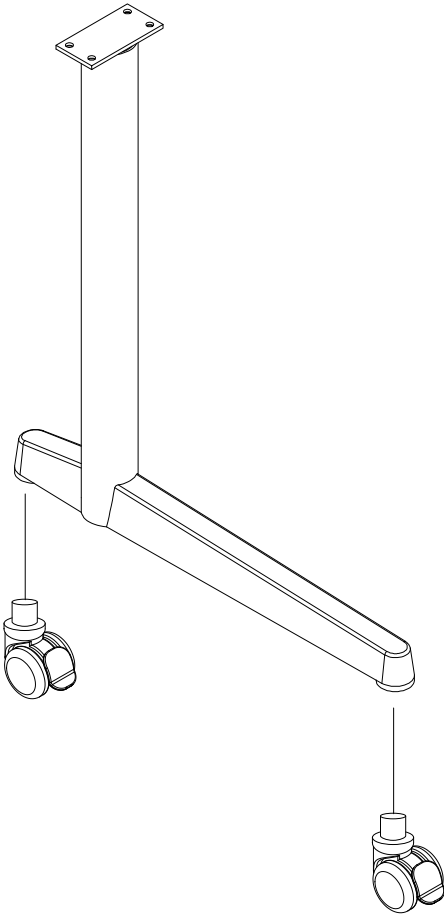


Disc Base Assembly

- Attach the column to the column base plate using the provided flathead machine screws.

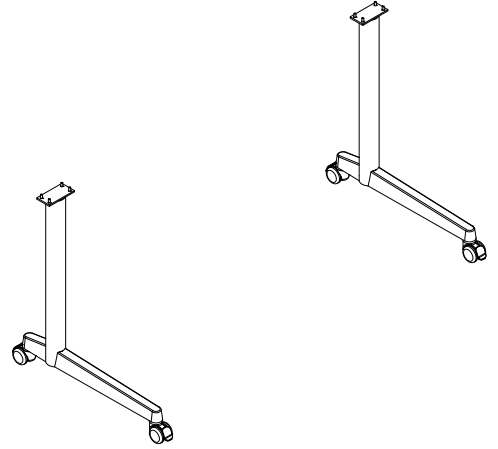


3

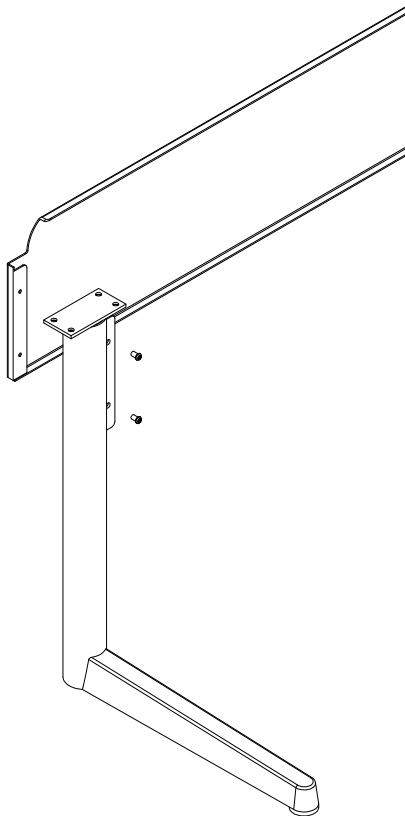


Caster Assembly

- Attach the casters to the bottom of the base assembly.
- *install spacers and glides at this time.*

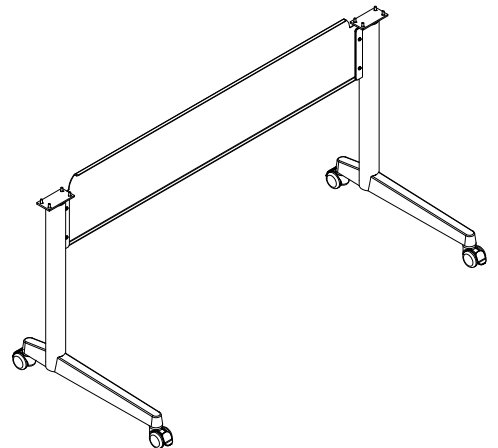


4

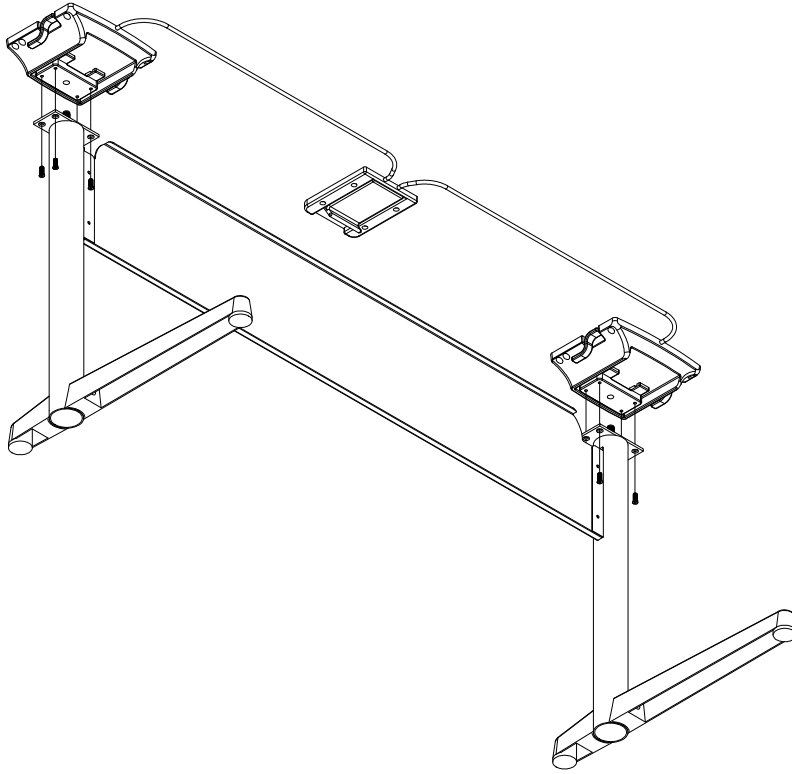


Modesty Panel Assembly

- Attach the the modesty panel to the base using the provided self tapping screws.

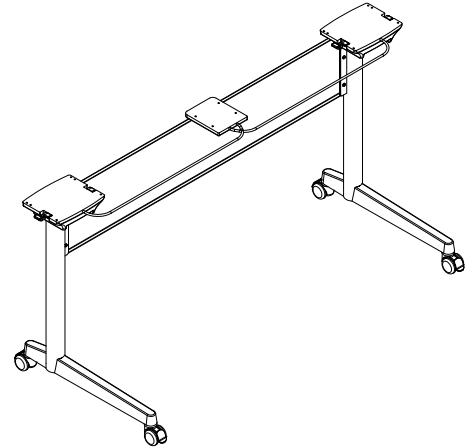


5

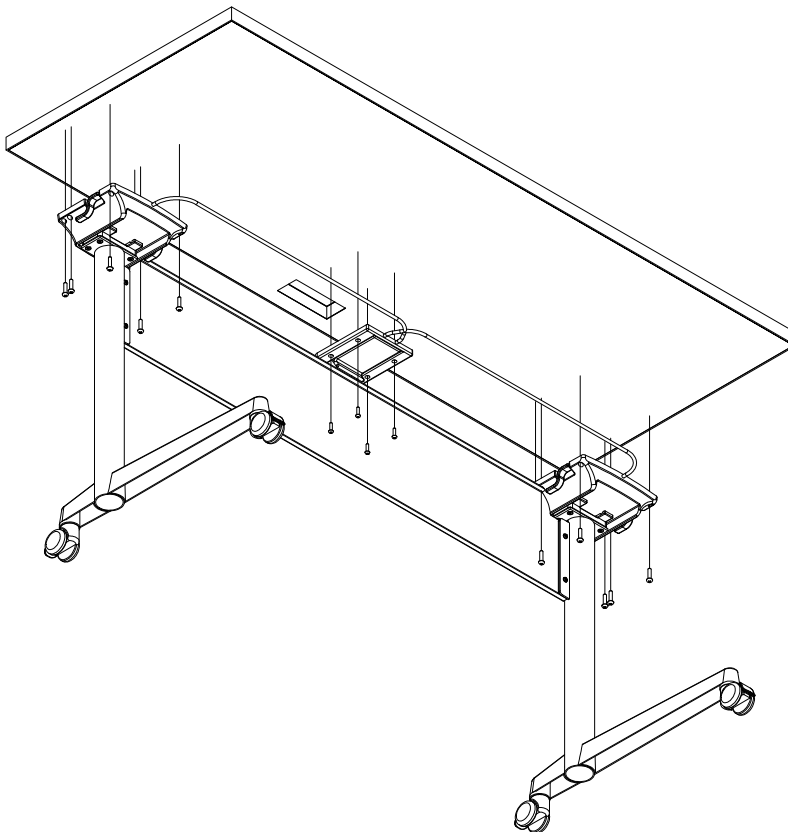


Base Assembly *(cont.)*

- Install the Base assembly to the flip top Mechanism using the provided allen screws.

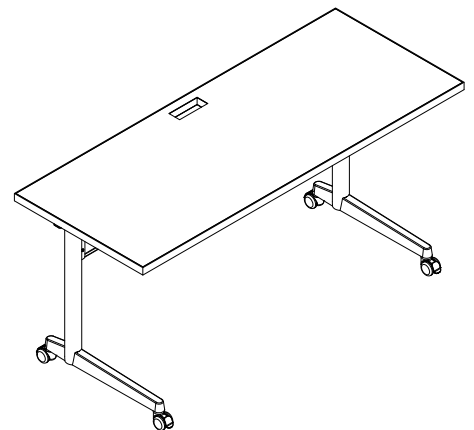


6

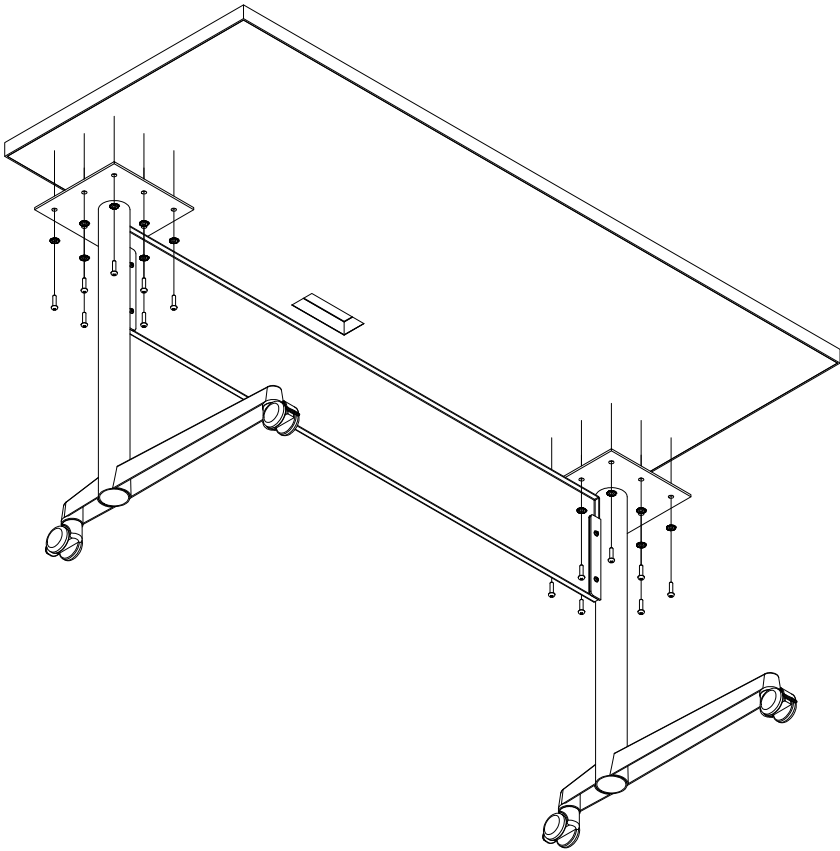


Unit Assembly *(flip top)*

- Square up your table base assembly with the top and secure using screws #52048.
**use the included cable clip to manage the flip top cables.*



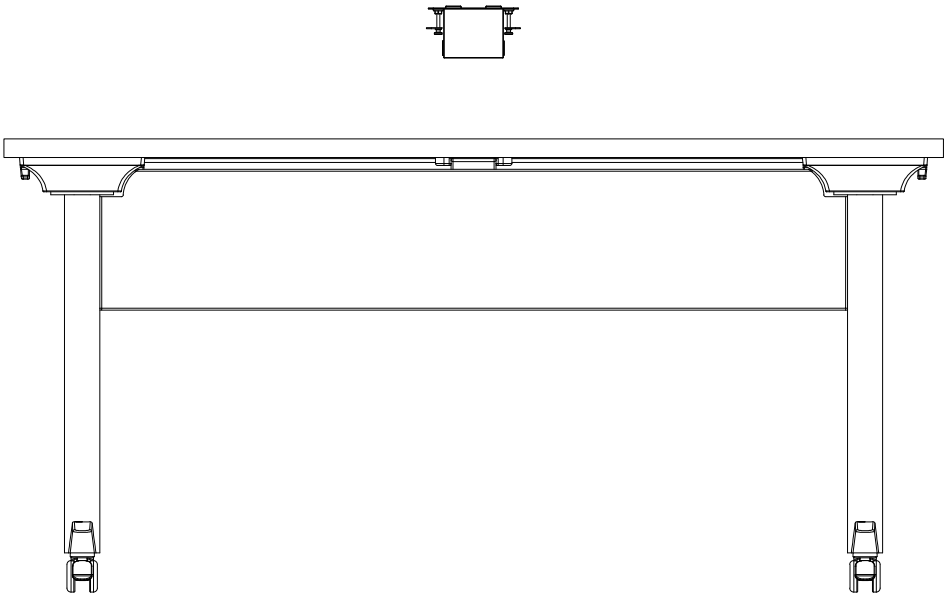
7



Unit Assembly *(standard)*

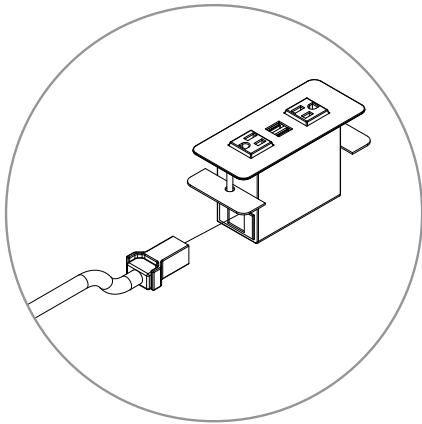
- For units without a flip top mechanism install using star washers #50034 and screw #52048.

8

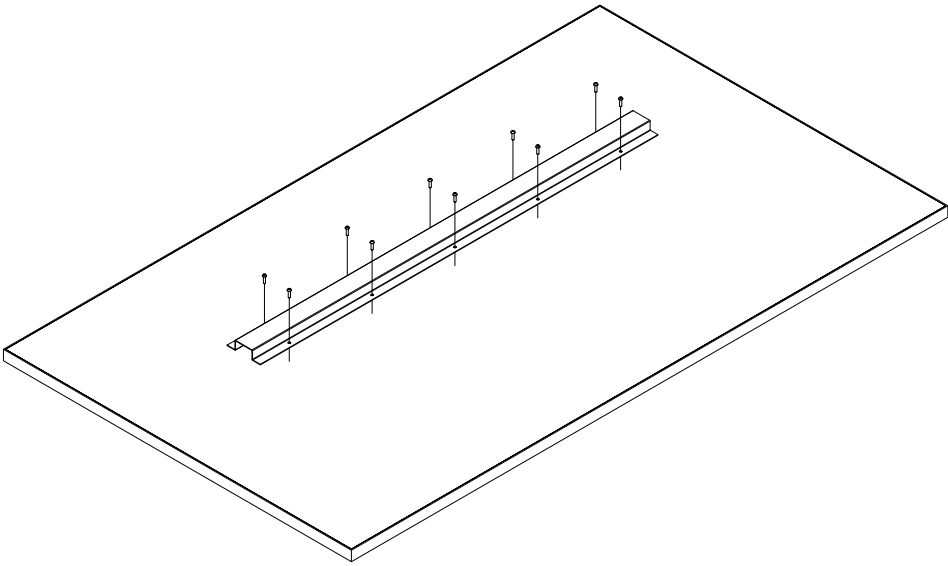


Power Unit Assembly

- Place the power unit into the cutout on the table top. Then screw in the two back plates from underneath the table using the included thumb screws.
 - If you've ordered DaisyLink cables, plug them into the designated slots.
- *use the included cable clips for additional wire management.*



9



Stress Bar

- Center the stress bar on the bottom side of the top and attach using screws #50080.
- *base assembly not shown for instructional purposes.*

10

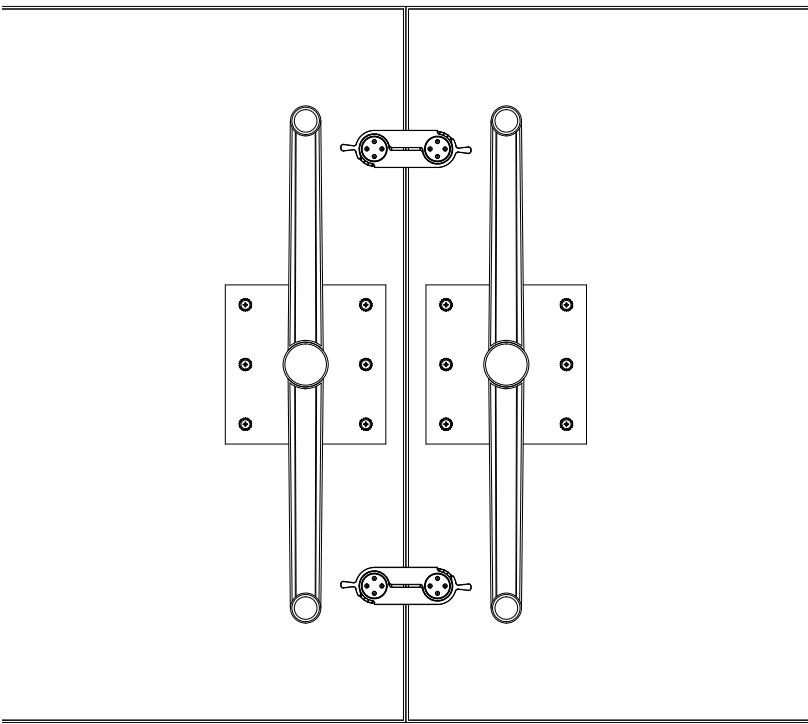
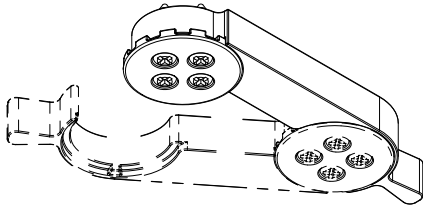
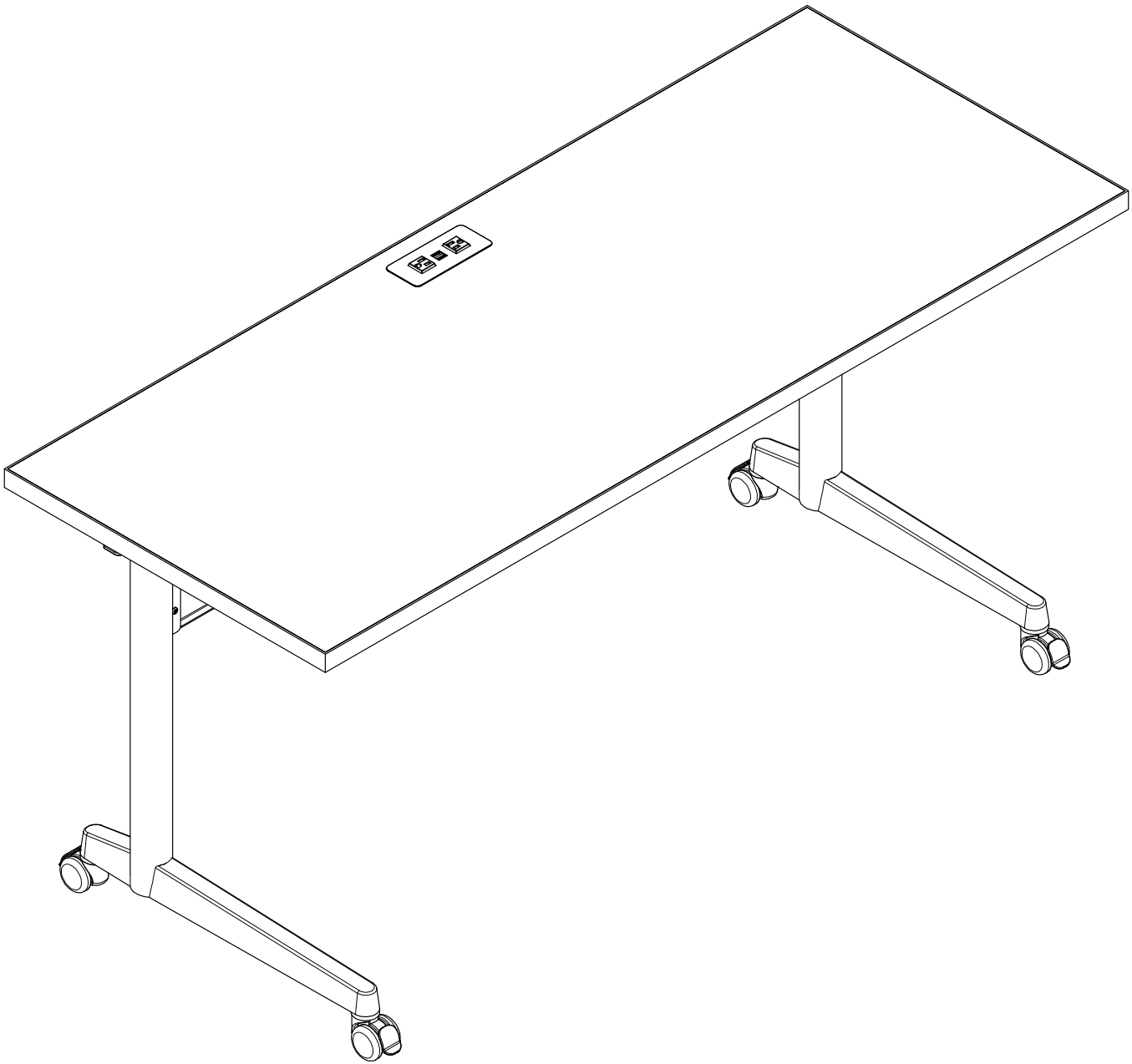


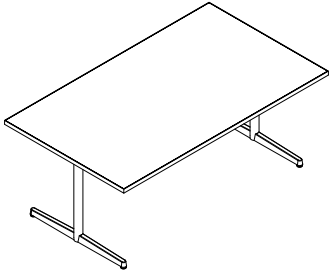
Table Connectors

- Attach 2 table connectors to each table in the desired configuration.

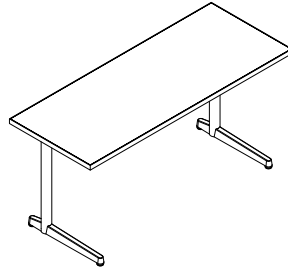




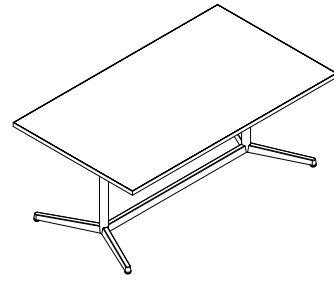
Base Styles



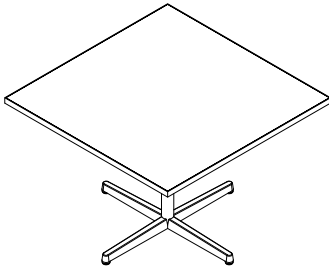
t-base



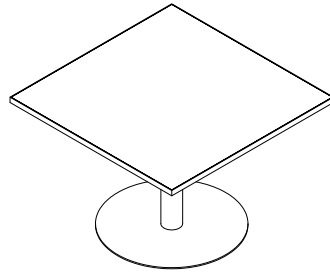
c-base



y-base

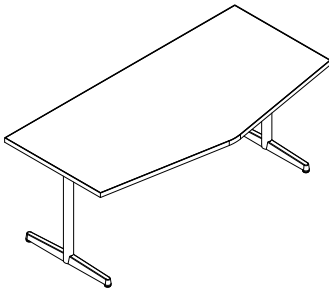


x-base

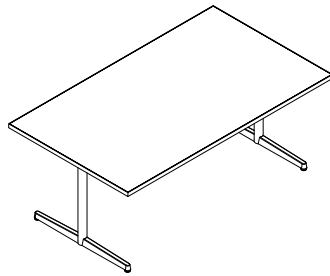


disc base

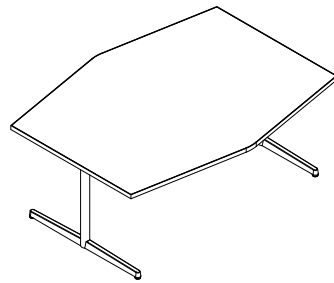
Top Shapes



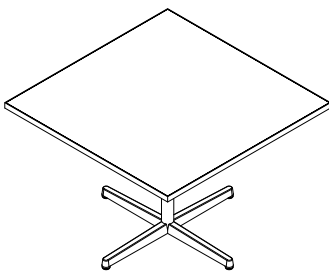
envelope top



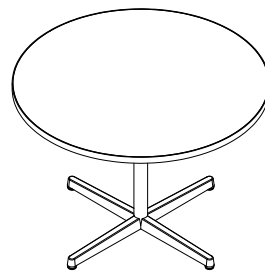
rectangle top



boat top



square top



round top



design the furniture. *innovate* the space. *engage* the users.

liatfurniture.com

694 North Main Street · Troutman, NC 28166
TF 888 440 8205 · F 704 528 6519