

the empowering

Maker

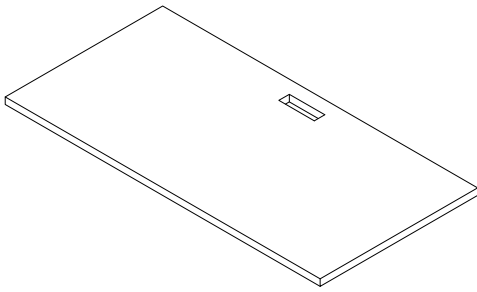
Installation Instructions

Work Tables - Lower Shelf

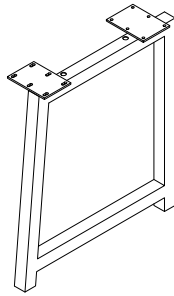


You should have

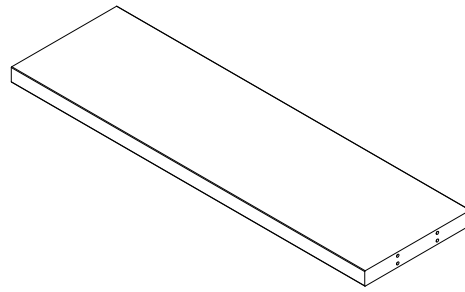
see unit schedule for actual quantities



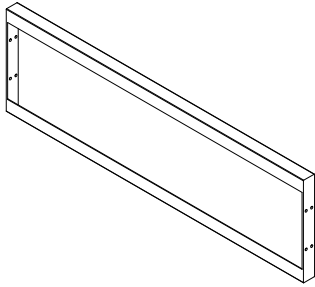
top



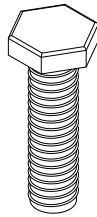
frame



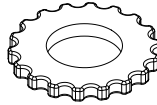
lower shelf



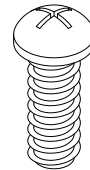
modesty panel



#50048

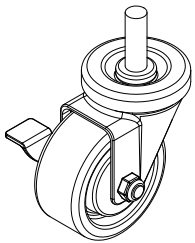


#50034

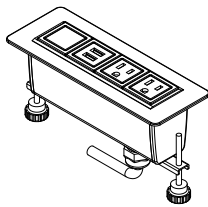


#52041
or #52042

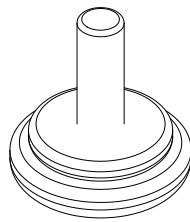
You might have



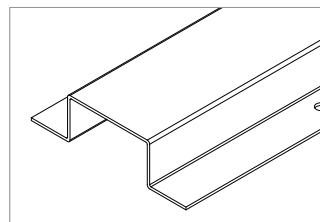
caster



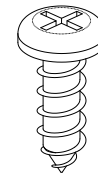
power



glides



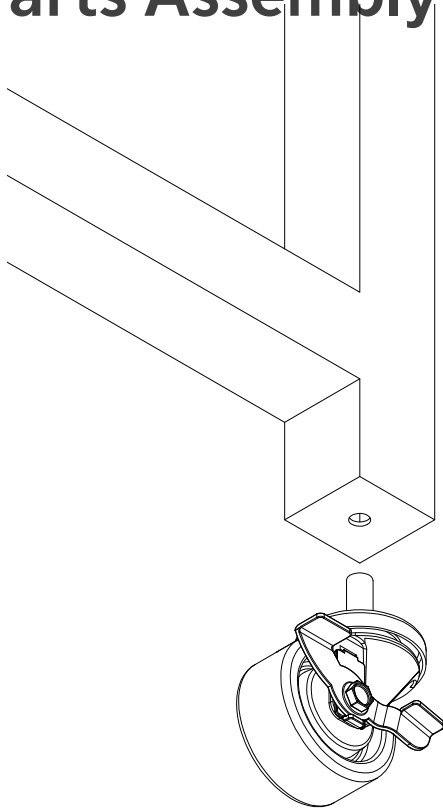
stress bar



#50080

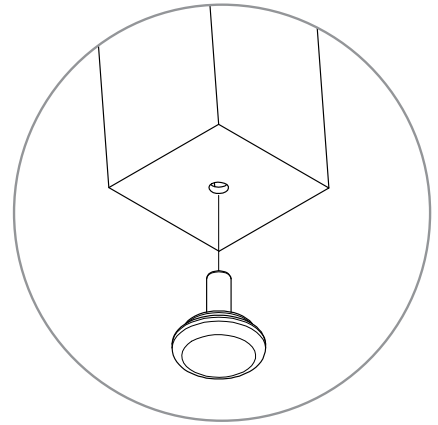
Core Parts Assembly

1

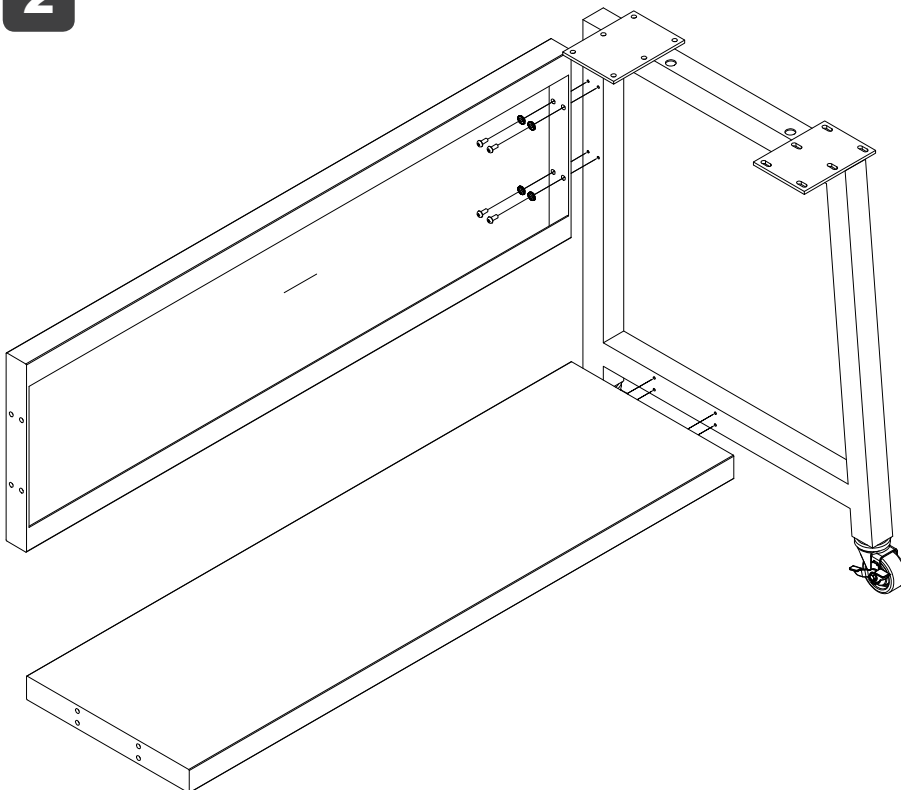


Caster Assembly

- Attach casters to the frame.
- *Glides will assemble the same way.

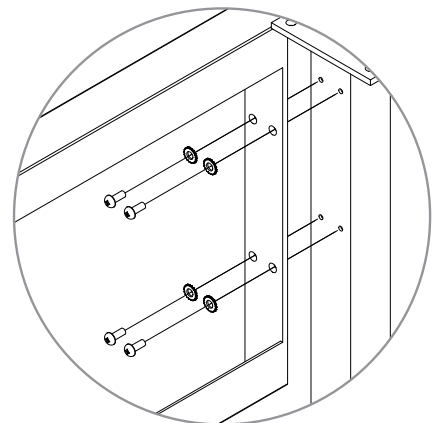


2

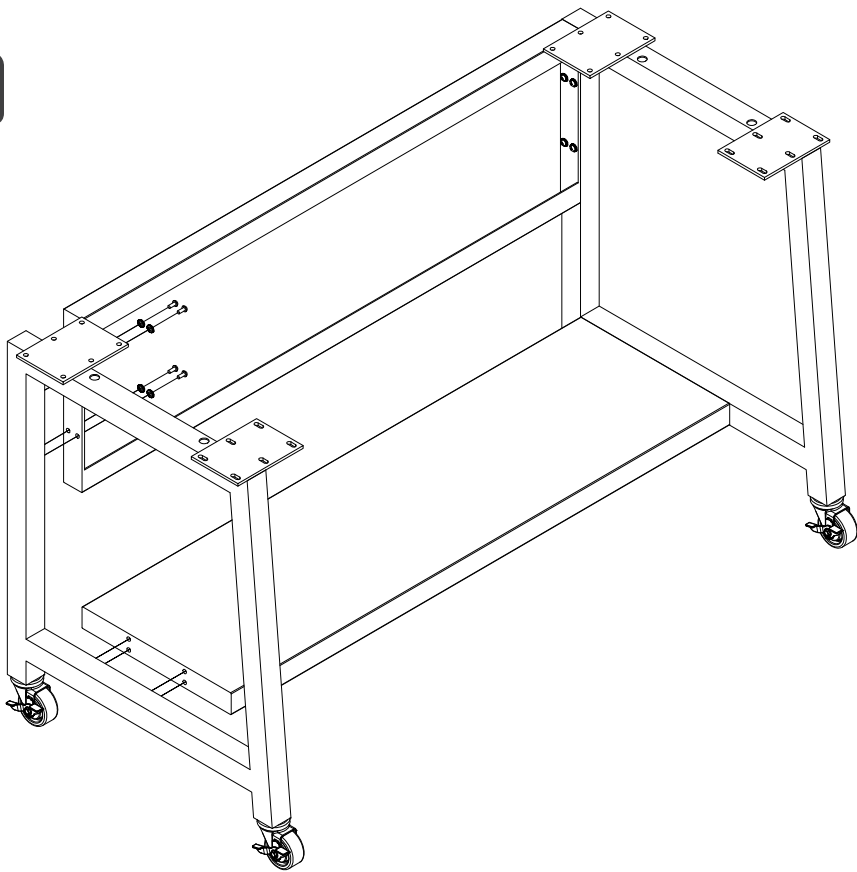


Frame Assembly

- Lay one end frame on its side.
- Attach one end frame to the lower shelf and modesty panel (when applicable) using screws #52041 or #52042 and washers #50034.

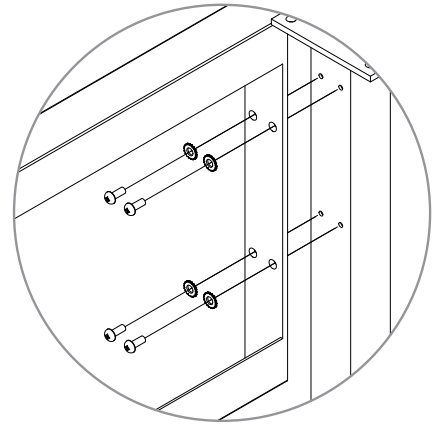


3

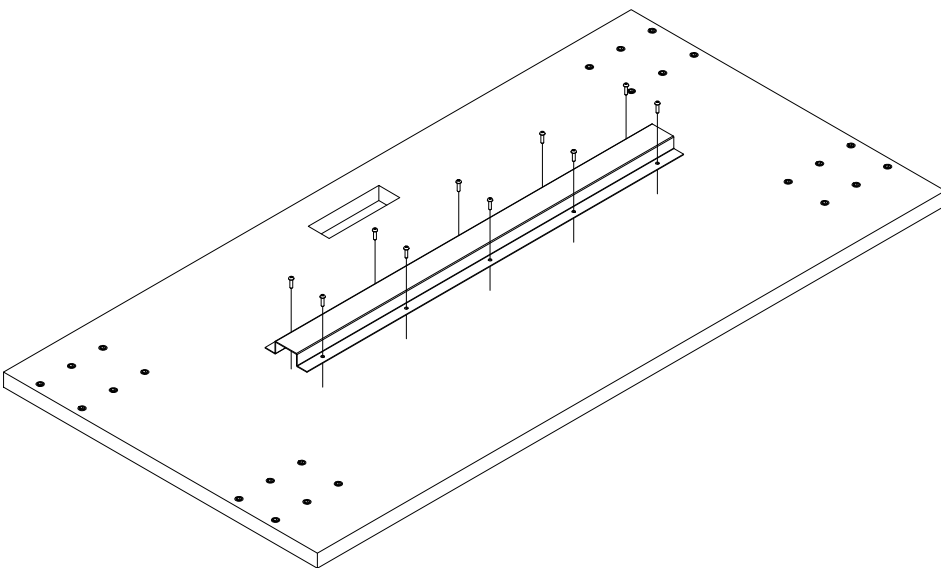


Frame Assembly *(cont.)*

- Attach the second end frame to the lower shelf and modesty panel (when applicable) using screws #52041 or #52042 and star washers #50034.



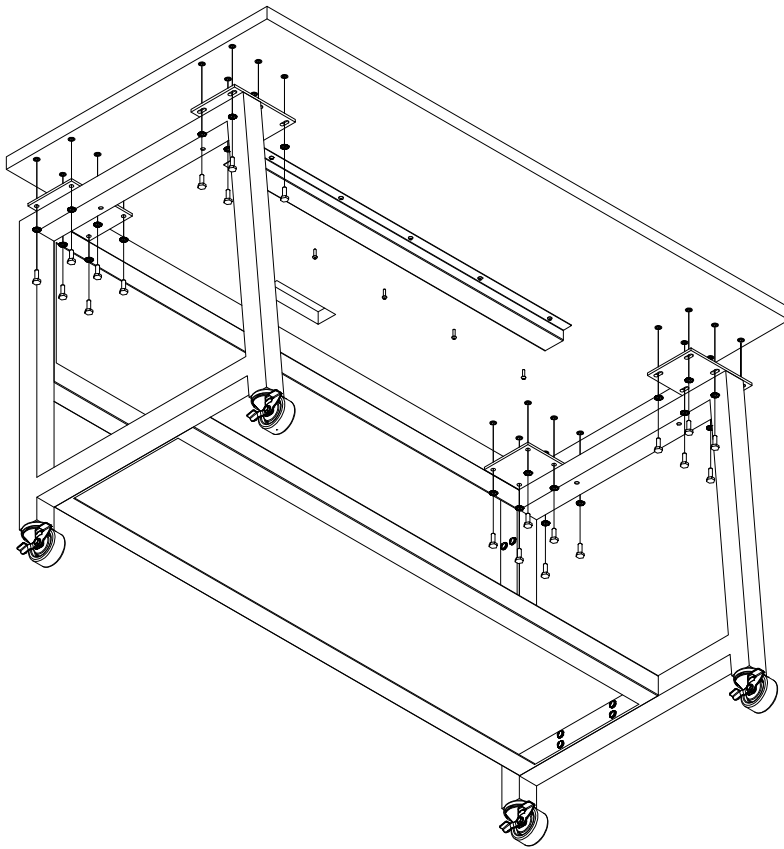
4



Stress Bar

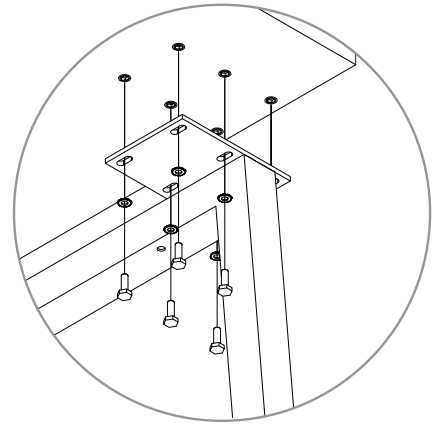
- Attach stress bar to the top using screws #50080.

5

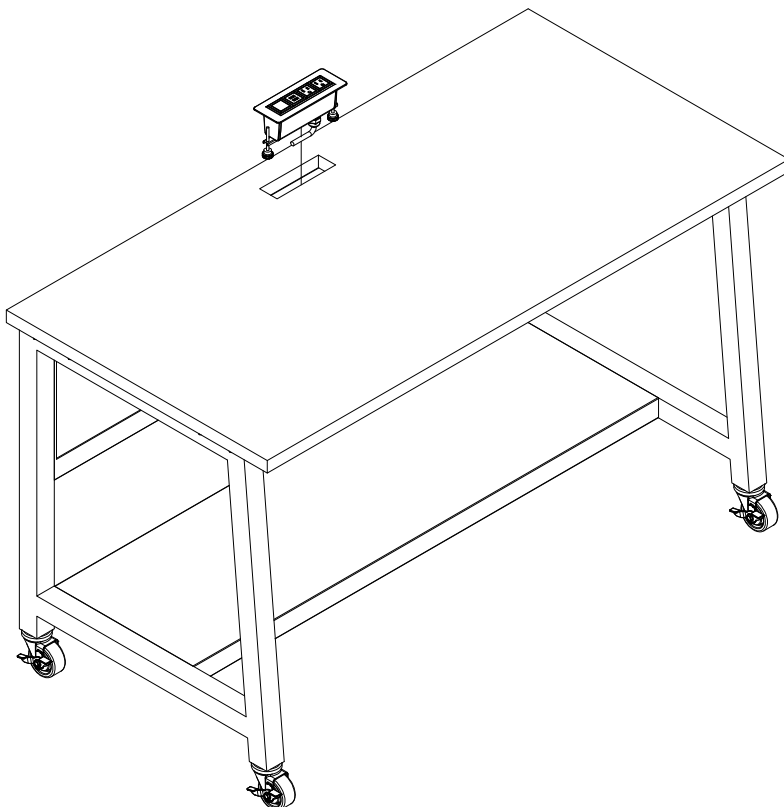


Top Assembly

- Attach the top to the frame assembly using bolts #50048 and star washers #50034.



6



Power

- Install the power unit into the pre-routed slot.

7





design the furniture. *innovate* the space. *engage* the users.

liatfurniture.com

694 North Main Street · Troutman, NC 28166
TF 888 440 8205 · F 704 528 6519