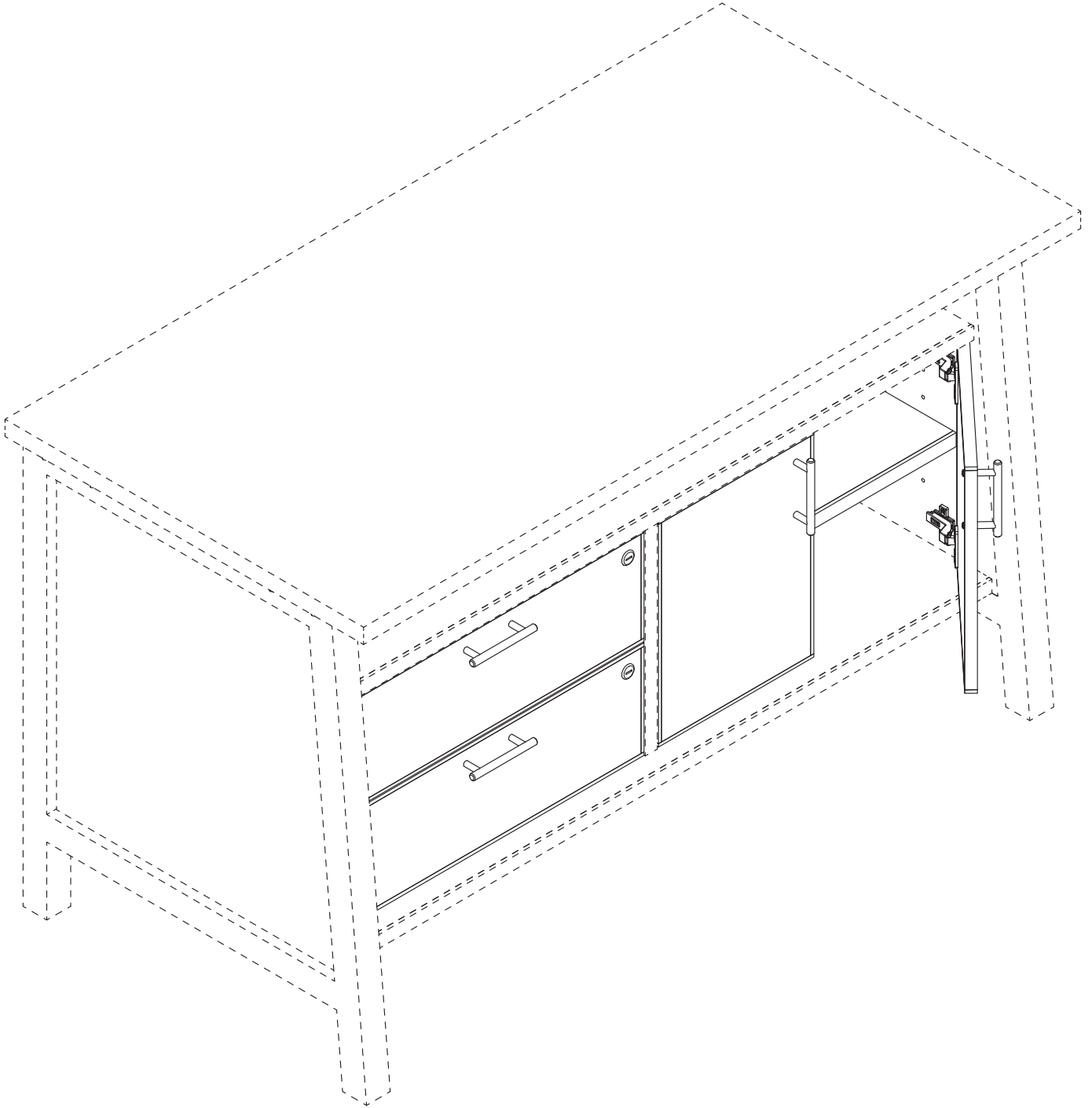


*the empowering*

# Maker

**Installation Instructions**

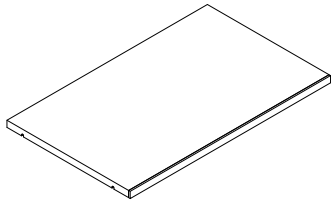
**Work Tables - Accessories**



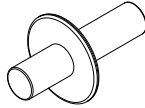
# You might have

see unit schedule for actual quantities

## Adjustable Shelves

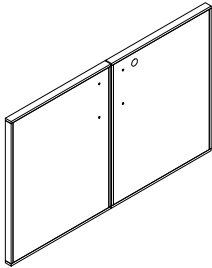


shelf

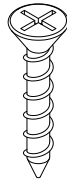


#48082

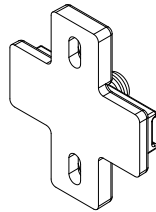
## Doors



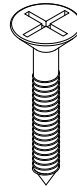
doors



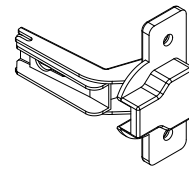
#50038



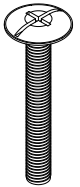
mounting plate



#50011



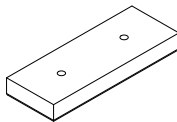
hinge



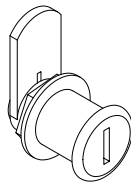
#4702700000



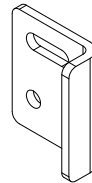
handle



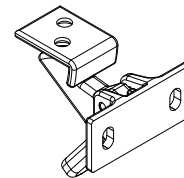
door stop



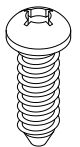
lock



strike plate

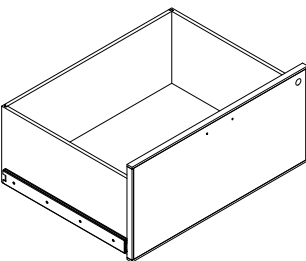


elbow catch

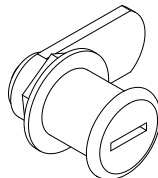


#50042

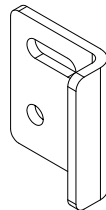
## Drawers



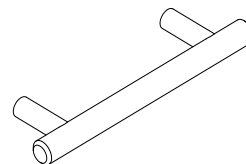
drawer



lock



striking plate



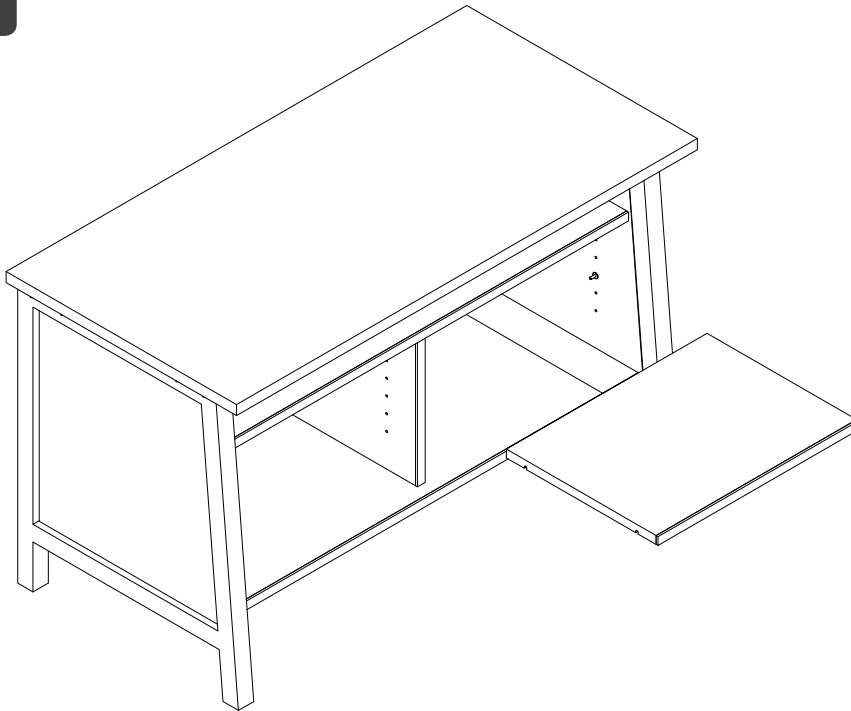
drawer pulls



#50040

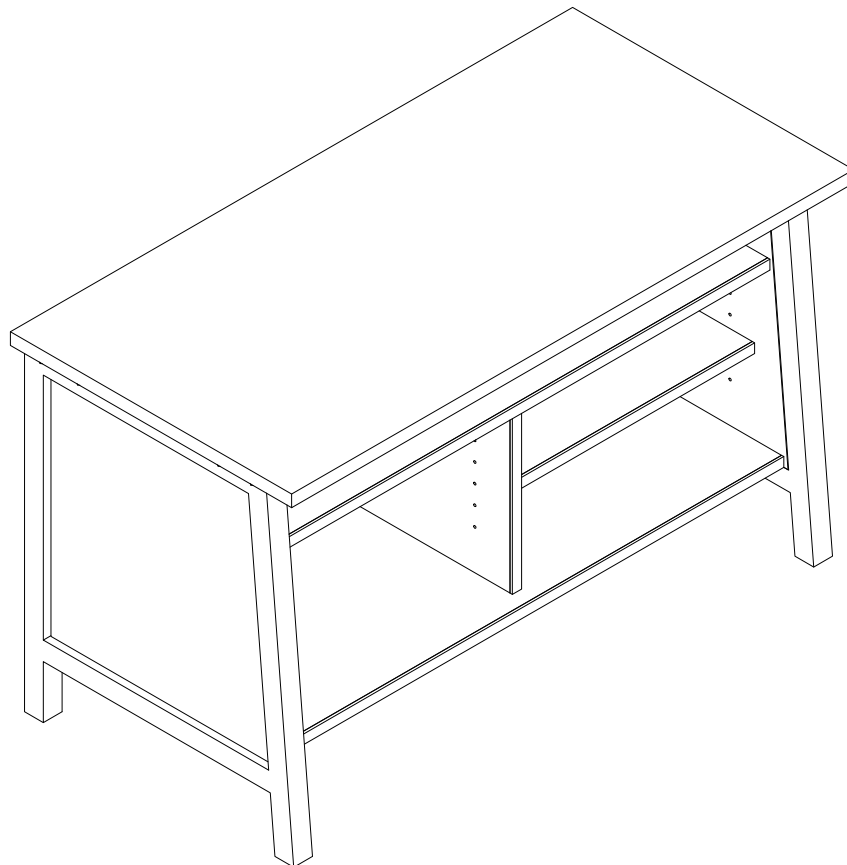
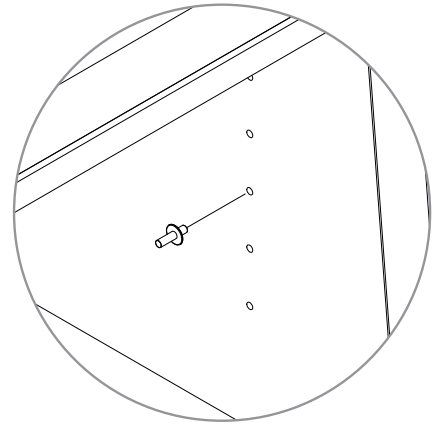
# Core Parts Assembly

1

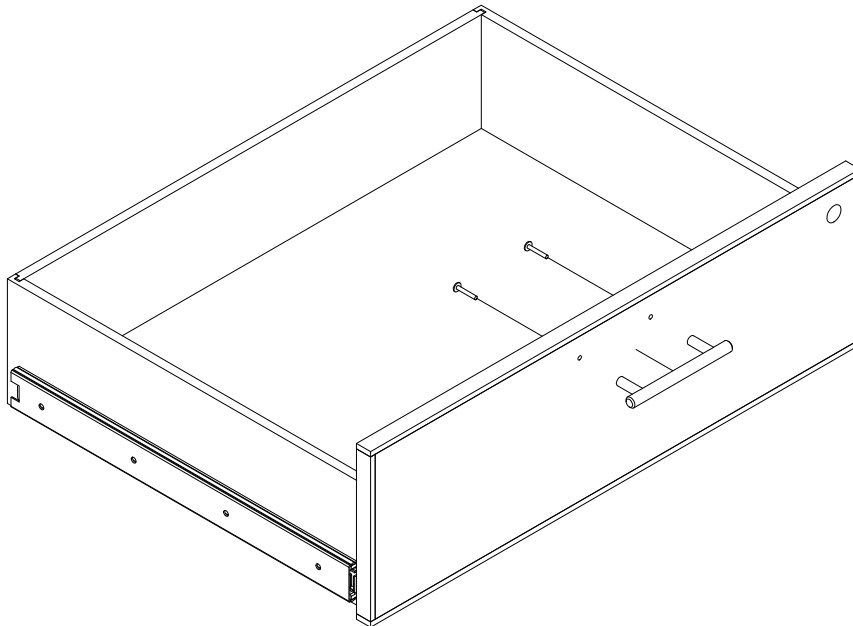


## Adjustable Shelves

- Insert shelf pins into the pre-drilled holes at the desired height.
- Place shelf over shelf pins



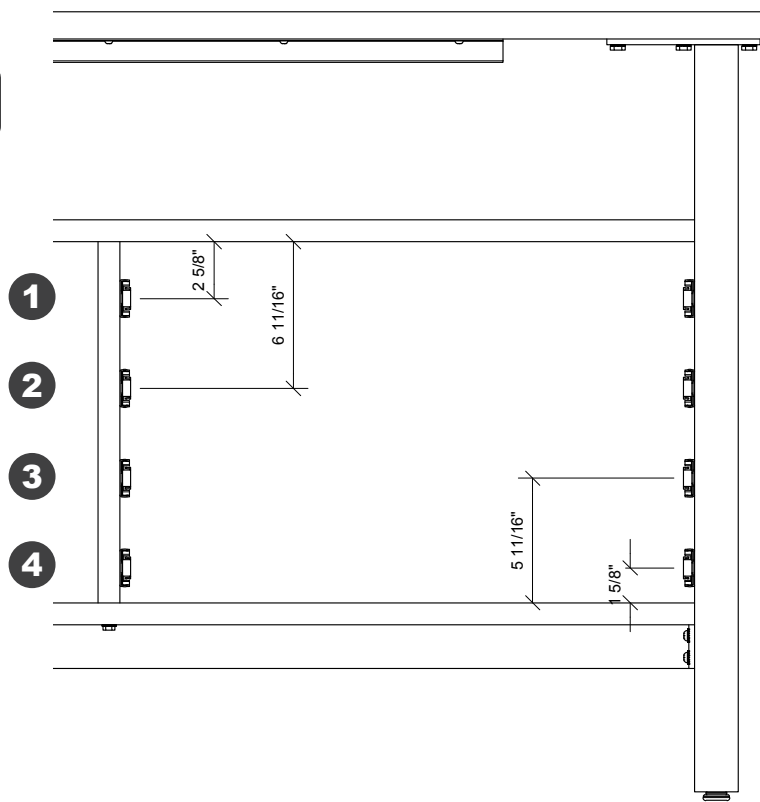
1



**Drawers**

- Line up handle with the pre-drilled holes.
- Attach using machine screws #4702700000

2

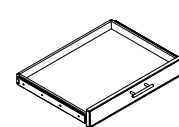


front view

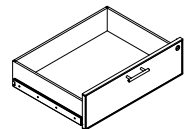
**Drawers** (slide placement)

- For all drawer slides, install 1-15/16" from the inner face of the back panel.
- Regarding heights, please use diagram. Dimensions are measured from the inner face of the shelf to the center of the drawer slide.

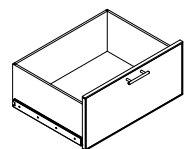
1. 1/4 - measure 2-5/8" from the top shelf.
2. 1/4 or 2/4 drawer - measure 6-11/16" from the top shelf.
3. 1/4 drawer - measure 5-11/16" from the bottom shelf.
4. 1/4, 2/4 and 3/4 drawer - measure 1-5/8" from the bottom shelf.



1/4 drawer

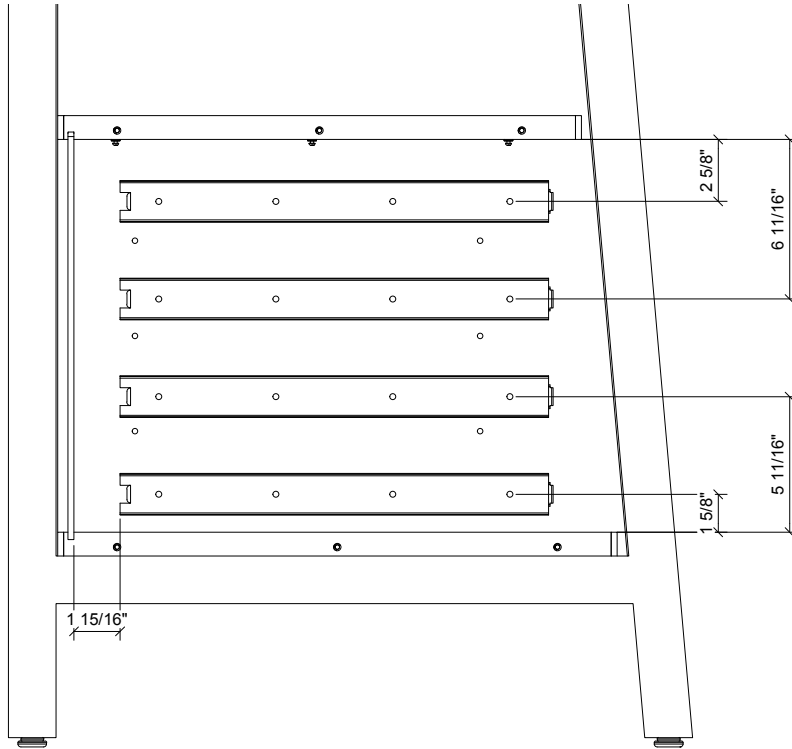


2/4 drawer



3/4 drawer

2



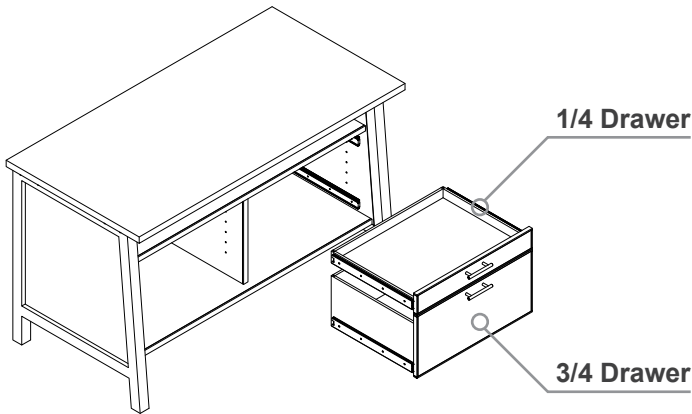
**Drawers** (slide placement)

- For all drawer slides, install 1-15/16" from the inner face of the back panel.
- Regarding heights, please use diagram. Dimensions are measured from the inner face of the shelf to the center of the drawer slide.

1. 1/4, 2/4 and 3/4 drawer - measure 1-5/8" from the bottom shelf.
2. 1/4 drawer - measure 5-11/16" from the bottom shelf.
3. 1/4 or 2/4 drawer - measure 6-11/16" from the top shelf.
4. 1/4 - measure 2-5/8" from the top shelf.

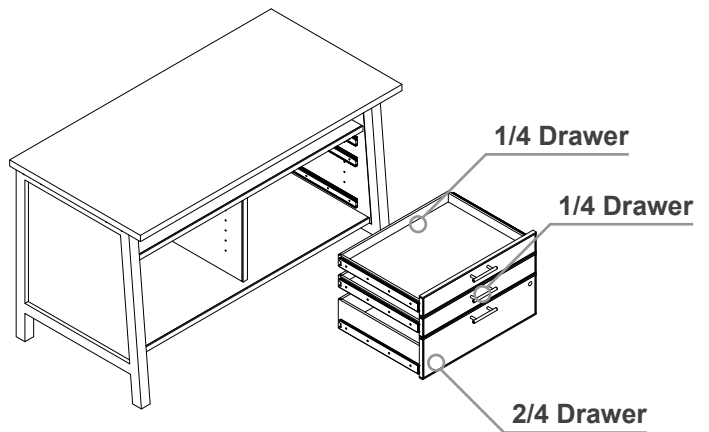
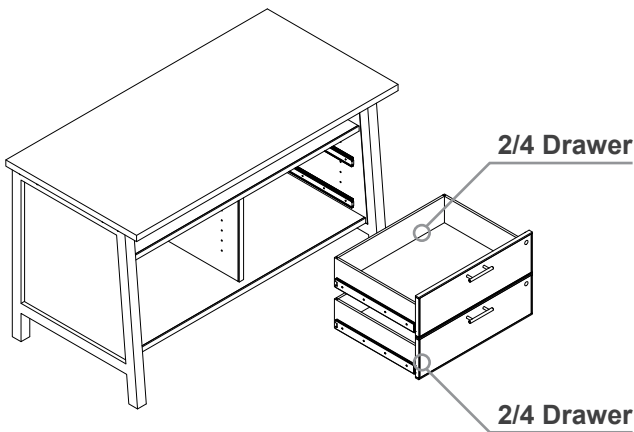
see step 3 for examples.

3

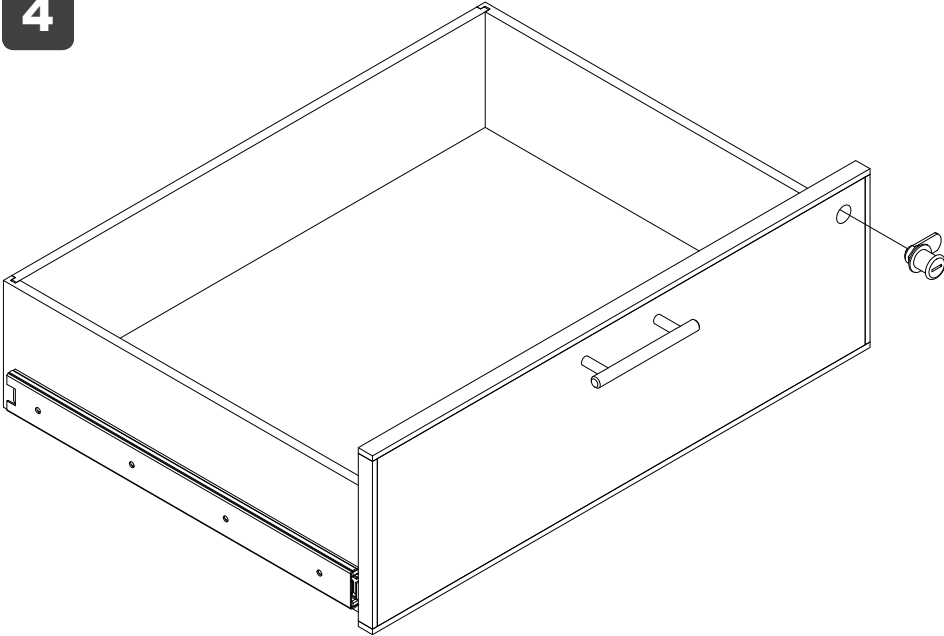


**Drawers** (slide examples)

- See diagram for slide examples.

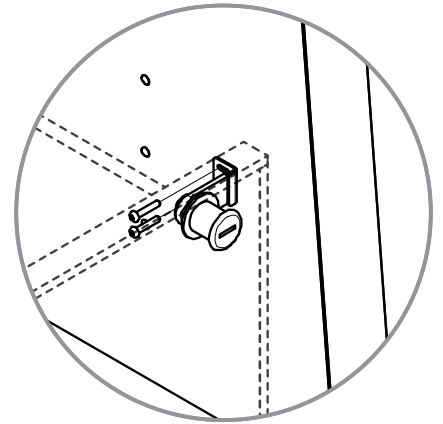


4

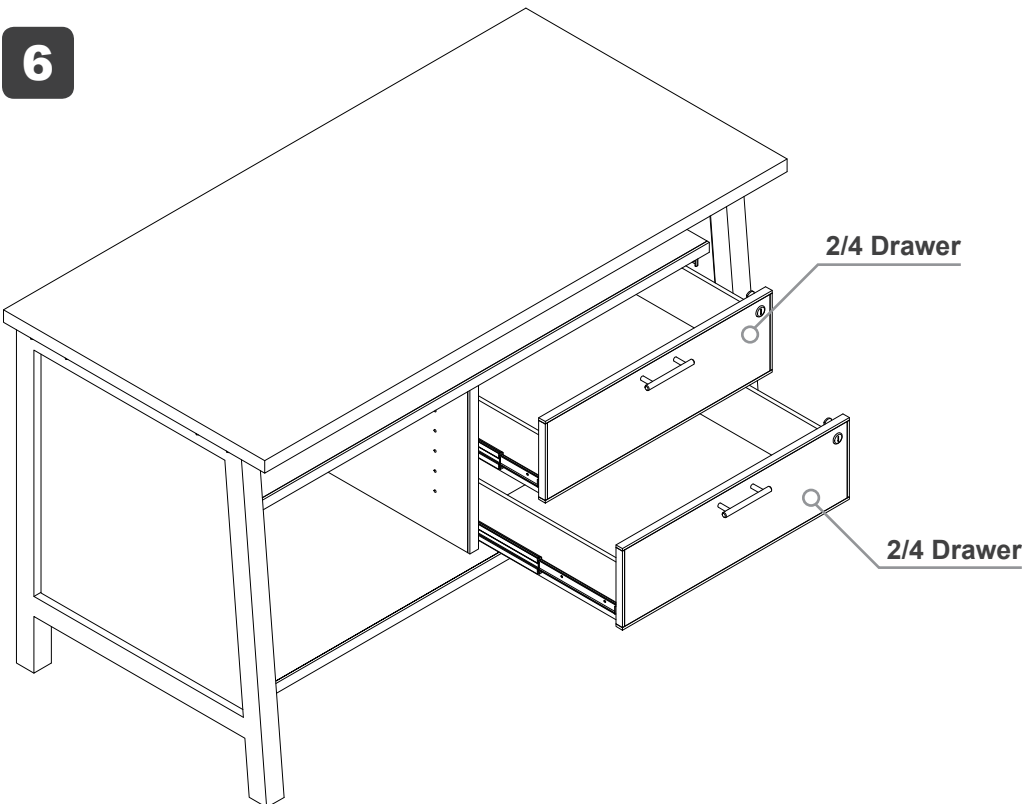


**Locks**

- Attach locks using the pre-drilled hole.
- Install the strike plate using screws #50040.

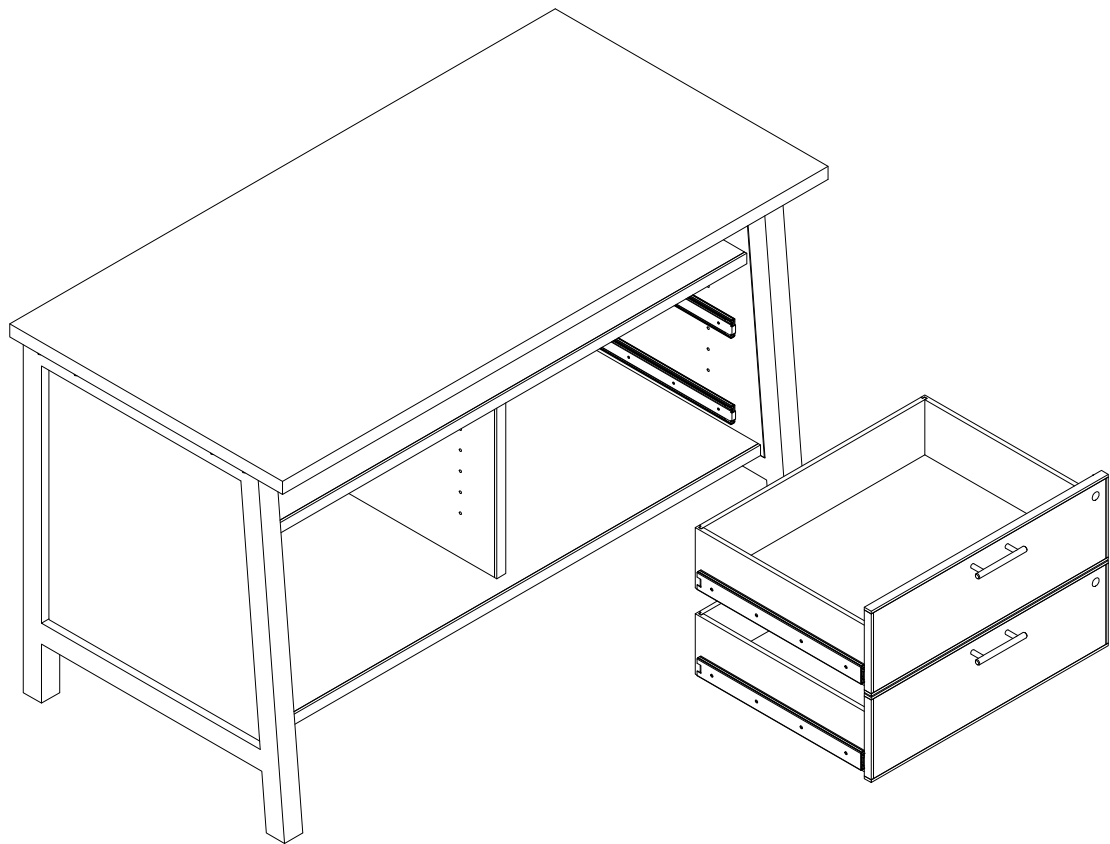


6

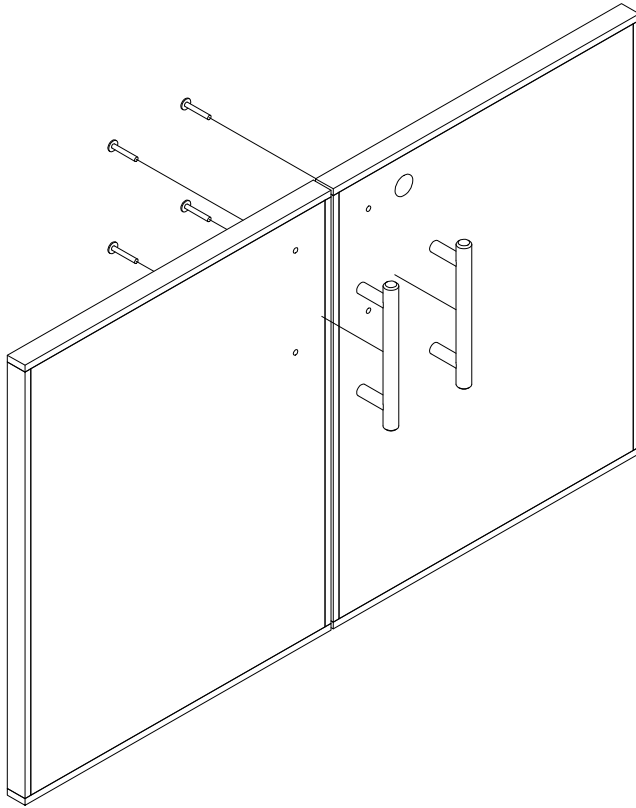


**Drawers (cont.)**

- Attach the drawers.



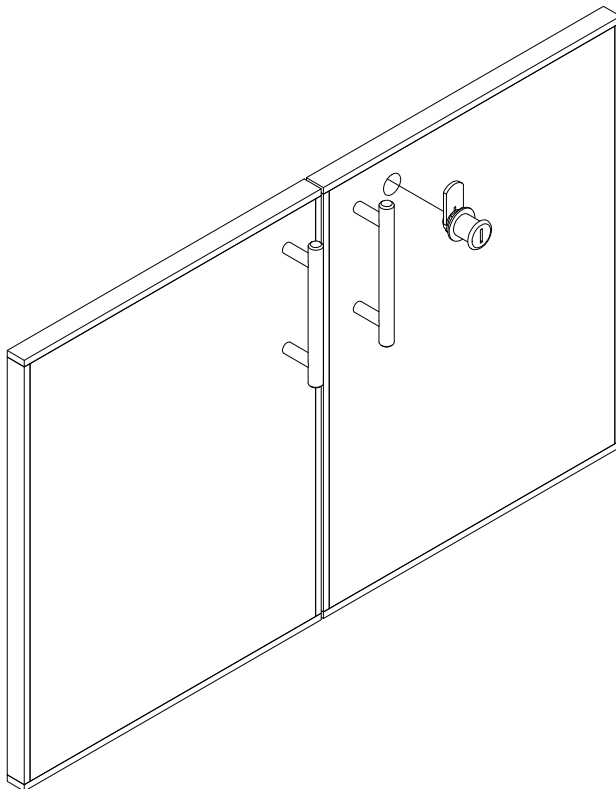
1



### **Doors**

- Attach the handles to each door using screws #4702700000.

2

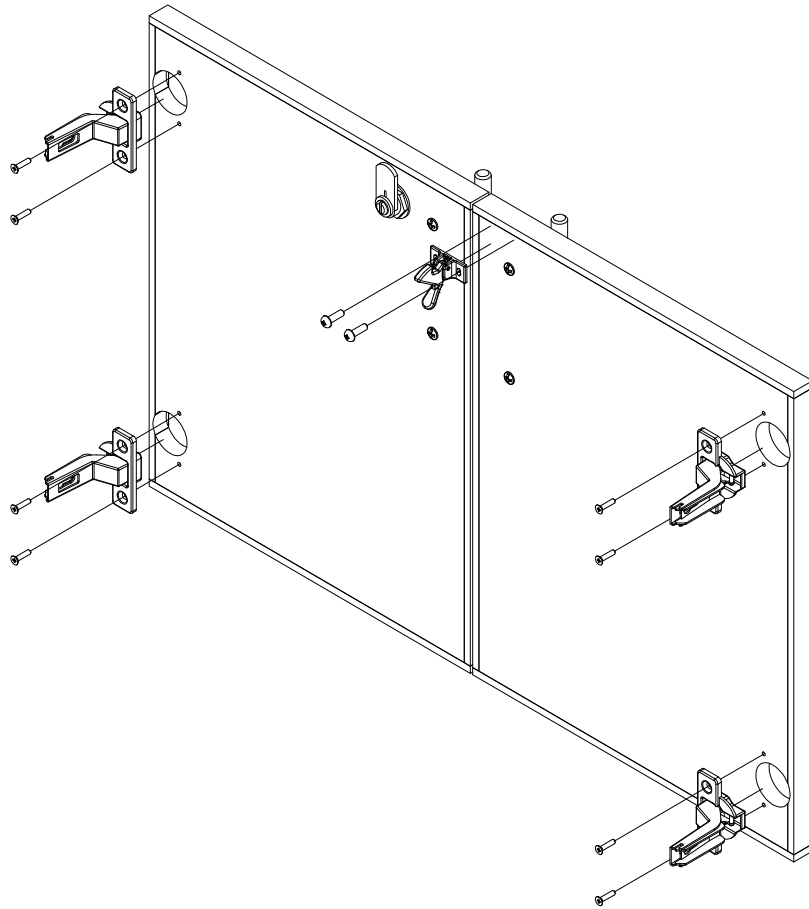


### **Locks**

- Attach locks using the pre-drilled hole.



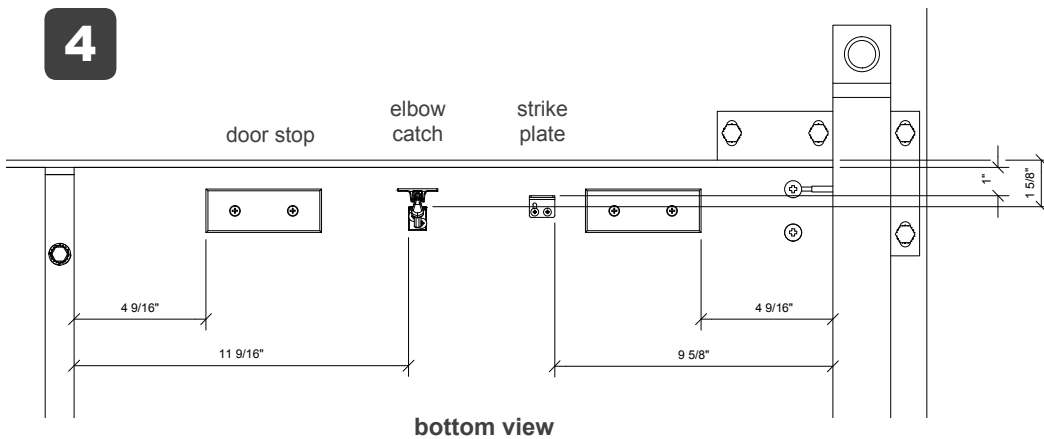
**5**



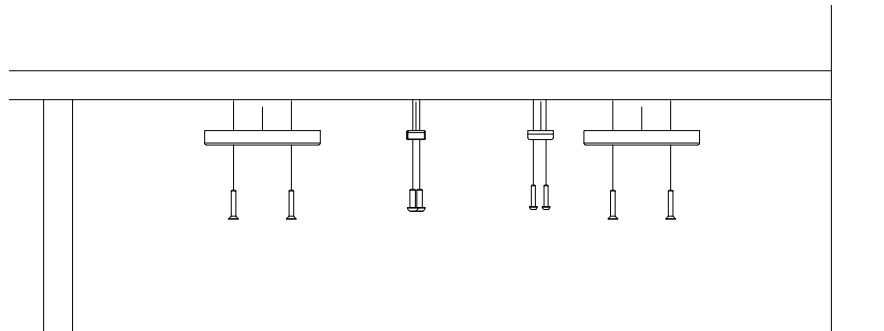
**Doors** (cont.)

- Attach the hinges to the doors using screws #50038.
- Attach the elbow catch using screws #50042.

**4**



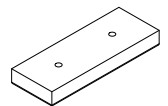
**bottom view**



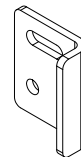
**front view**

**Doors** (cont.)

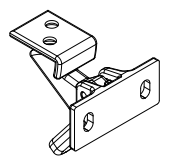
- Attach the door stops 1" from the front of the top shelf and 4-9/16" from the end and intermediate panels using screws #50011.
- Attach the elbow catch 1-5/8" from the front of the top shelf and 11-9/16" from the intermediate panel using screws #50042.
- Attach the strike plate 1-1/4" from the front of the top shelf and 9-5/8" from the end panels using screws #50040.



door stop

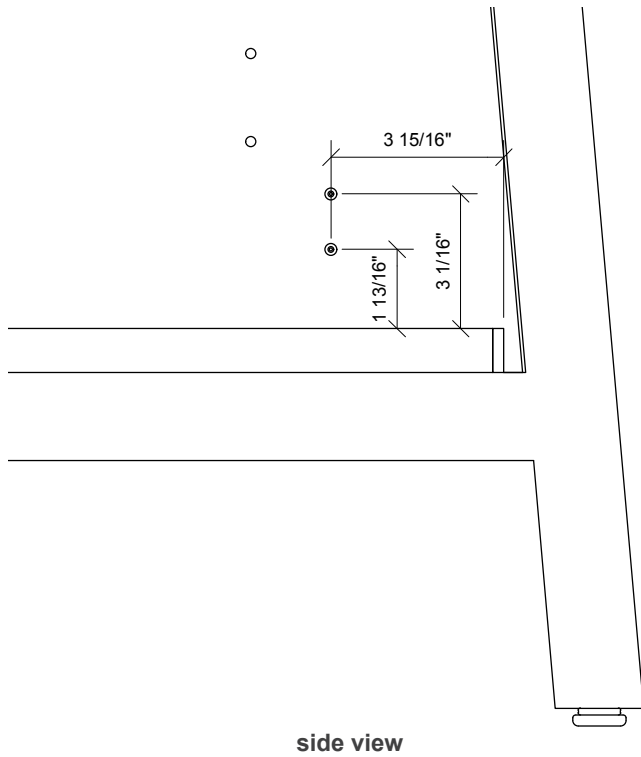


strike plate



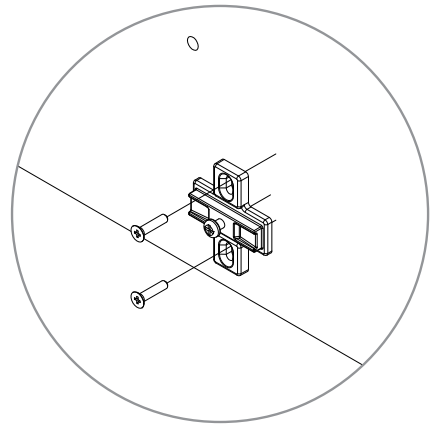
elbow catch

5

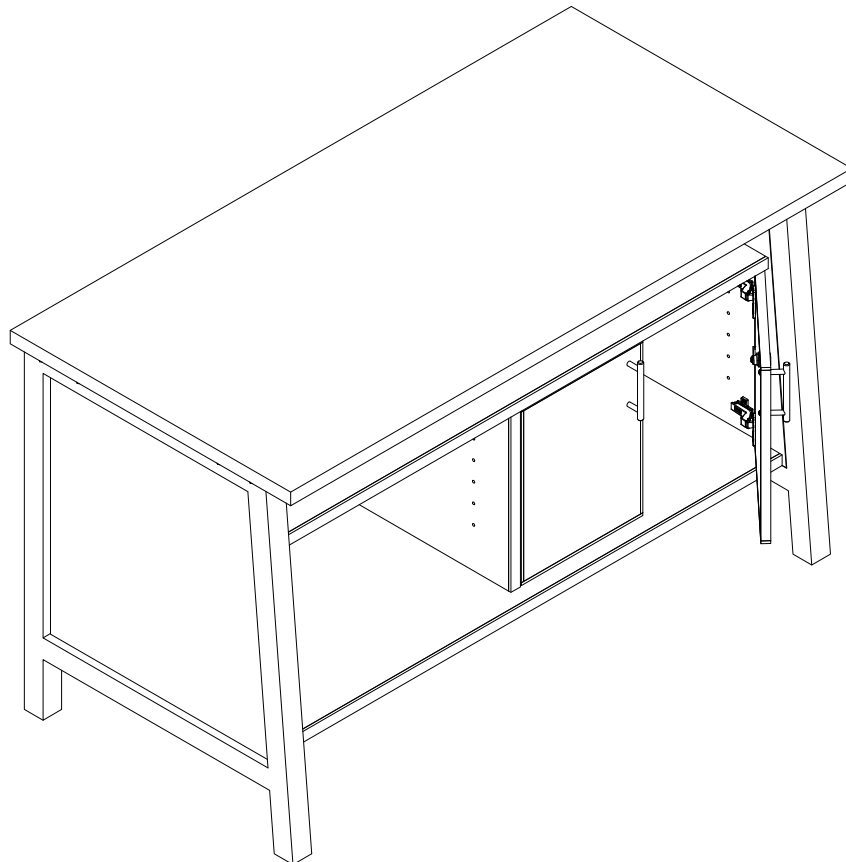


**Doors** (*mounting plate*)

- Drill two pilot holes each 3-15/16" from the front of the bottom shelf. Drill one pilot hole 1-13/16" from the top of the bottom shelf and the other 3-15/16".
- Attach the mounting plates using screws #50038.
- Attach the door hinges to the mounting plates.



6





*design* the furniture. *innovate* the space. *engage* the users.

---

*liatfurniture.com*

694 North Main Street · Troutman, NC 28166  
TF 888 440 8205 · F 704 528 6519