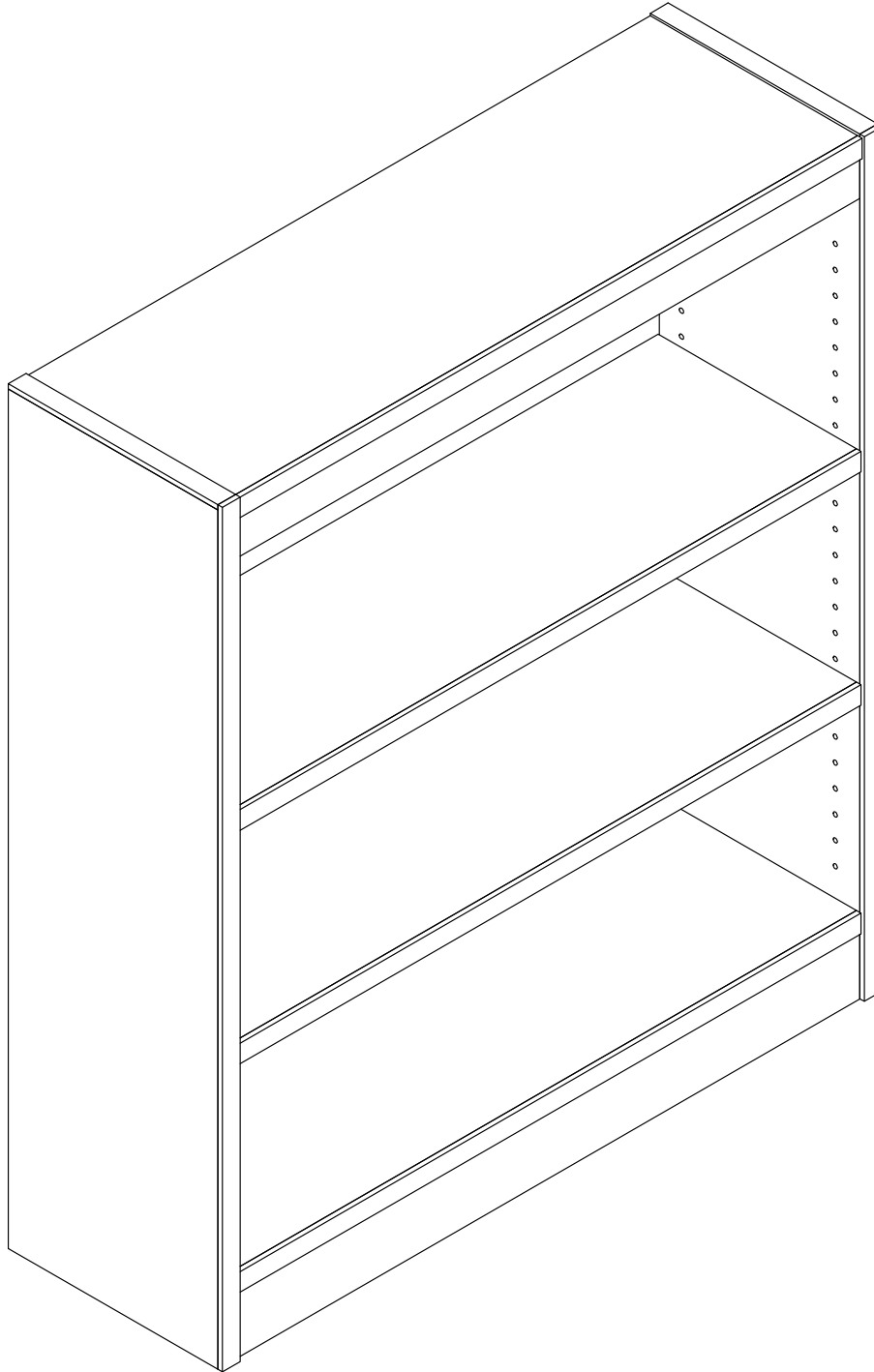


the modular & flexible

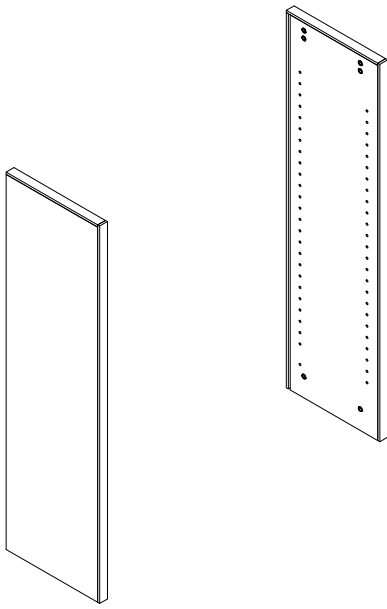
Everest

Installation Instructions
Single & Double Face Shelving

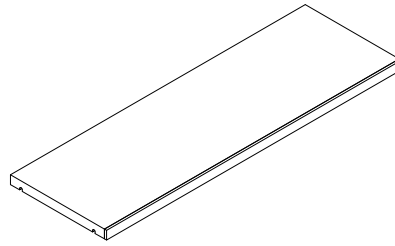


You should have

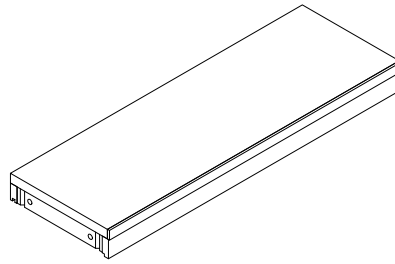
see unit schedule for actual quantities



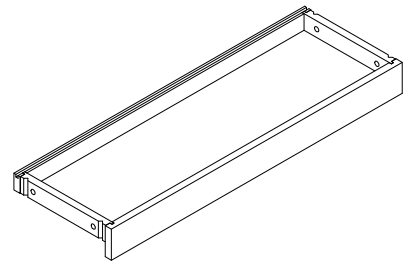
end/intermediate panel



bottom shelf



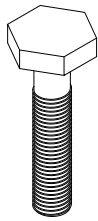
top frame



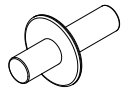
base frame



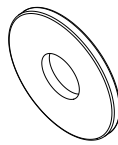
#4703125000



#50093

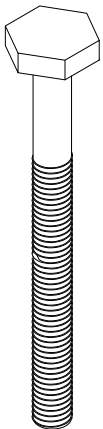


#48082

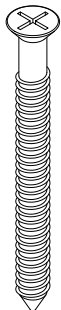


#50032

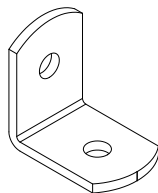
You might have



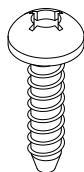
#50092



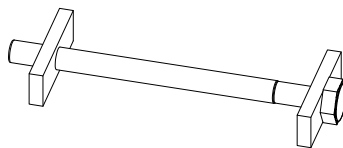
#50004



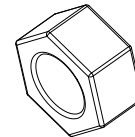
#52040



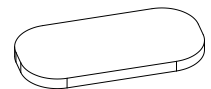
#50042



#50020

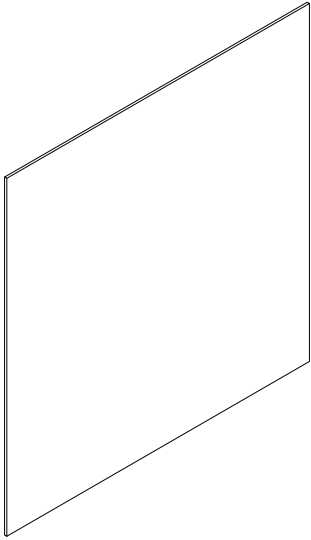


#50033

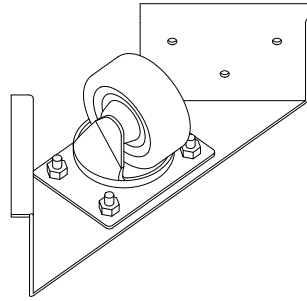


spline

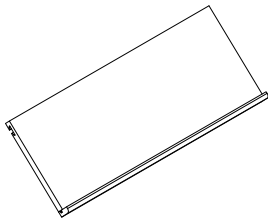
You might have



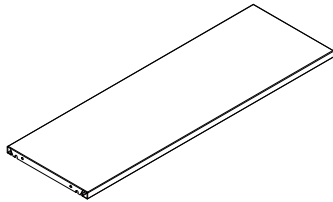
back panel



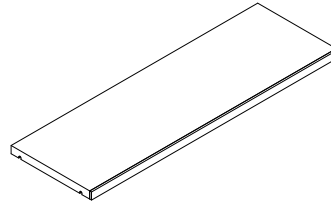
casters



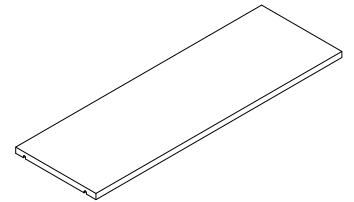
magazine shelf



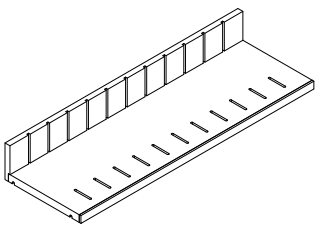
metal shelf



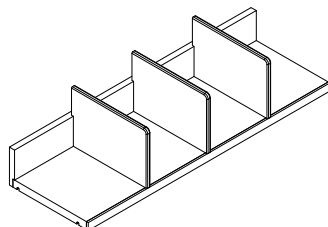
book case



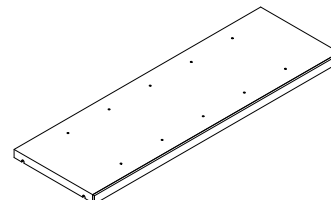
solid shelf



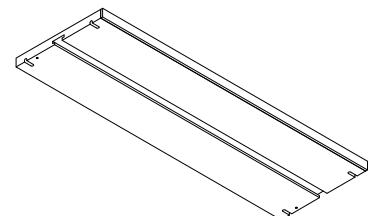
adjustable divider shelf



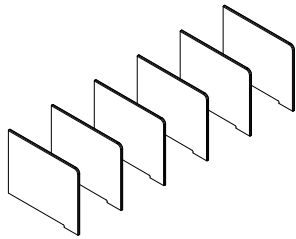
fixed divider shelf



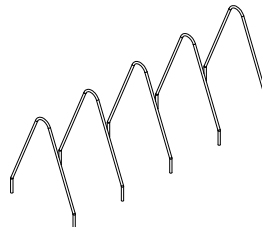
picture book shelf



triangular divider shelf



adjustable divider



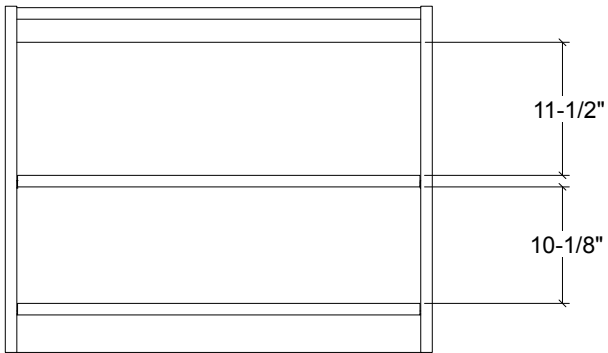
picture book divider



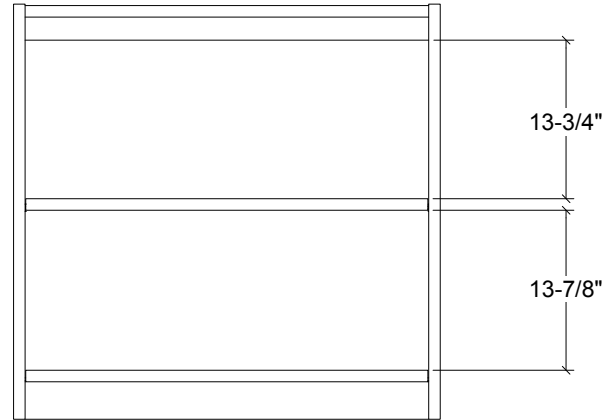
triangular divider

Shelf Details

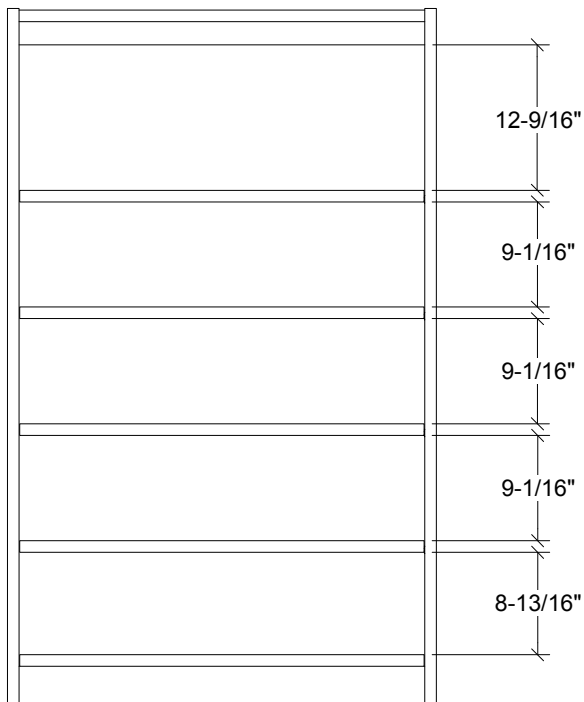
The following images are provided as a reference to show the spacing/details and number of shelves for each of our standard heights.



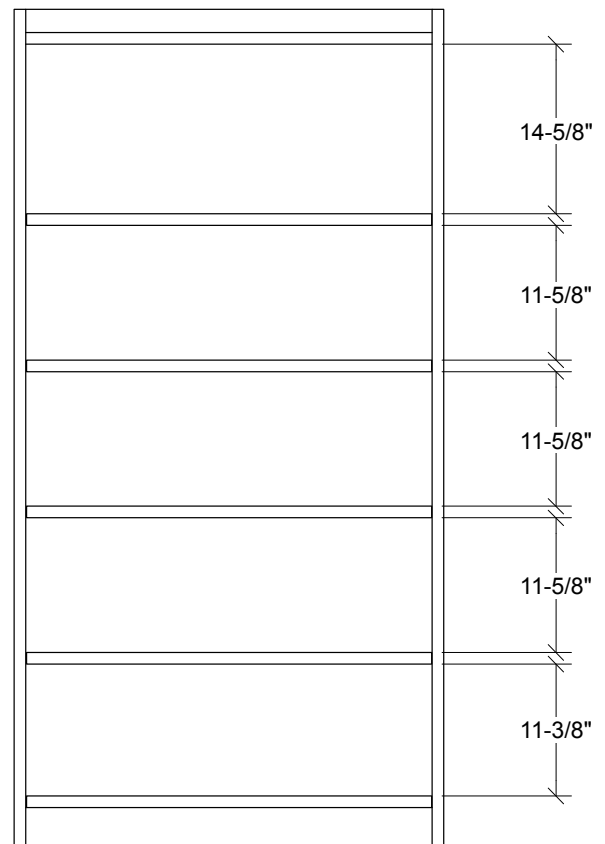
30" H Unit



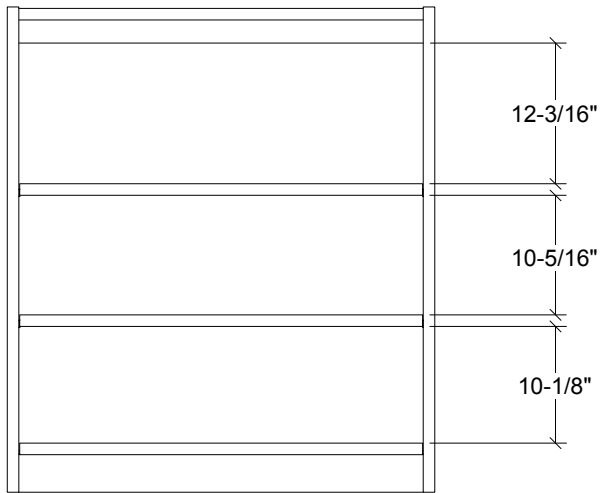
36" H Unit



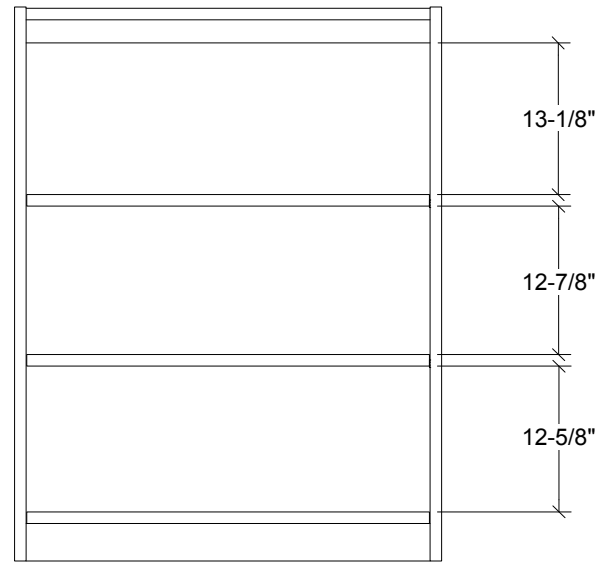
60" H Unit



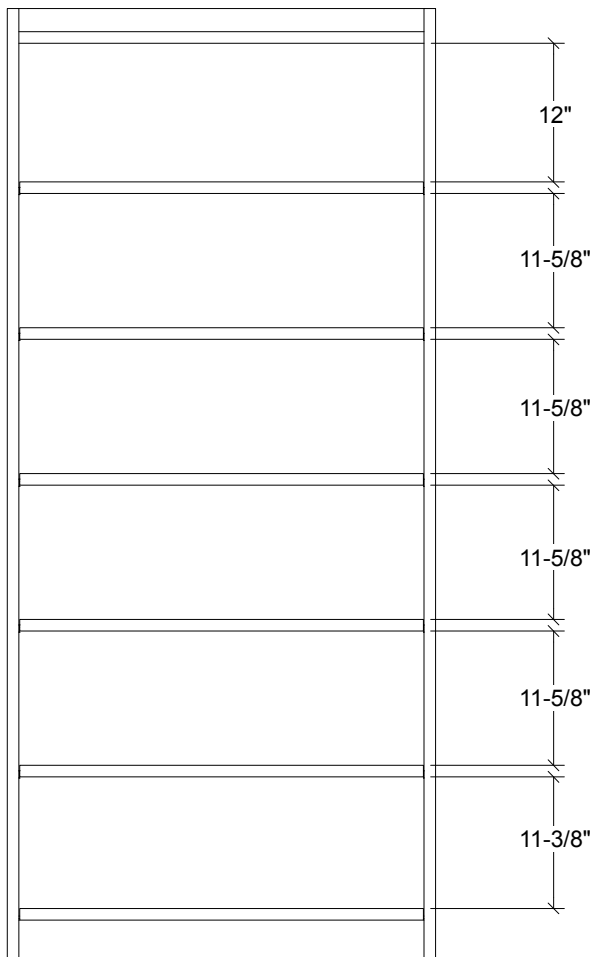
72" H Unit



42" H Unit



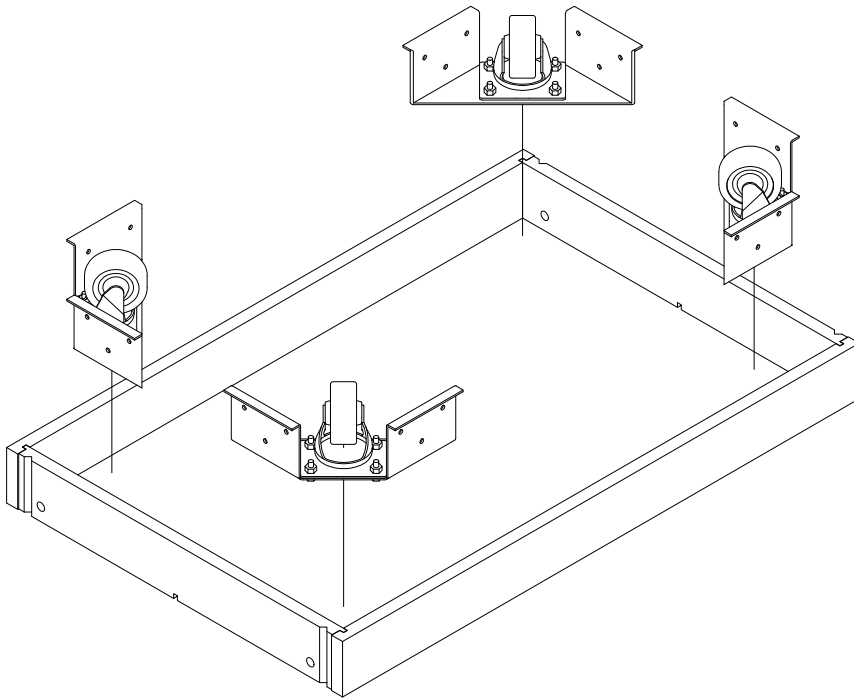
48" H Unit



82" H Unit

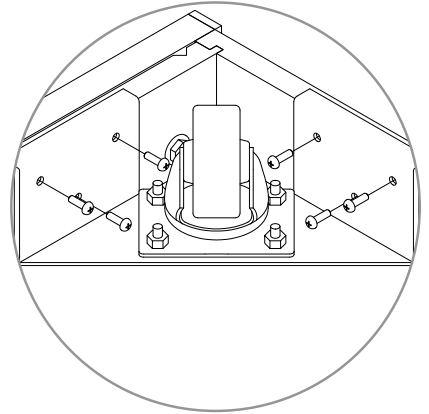
Core Parts Assembly

1



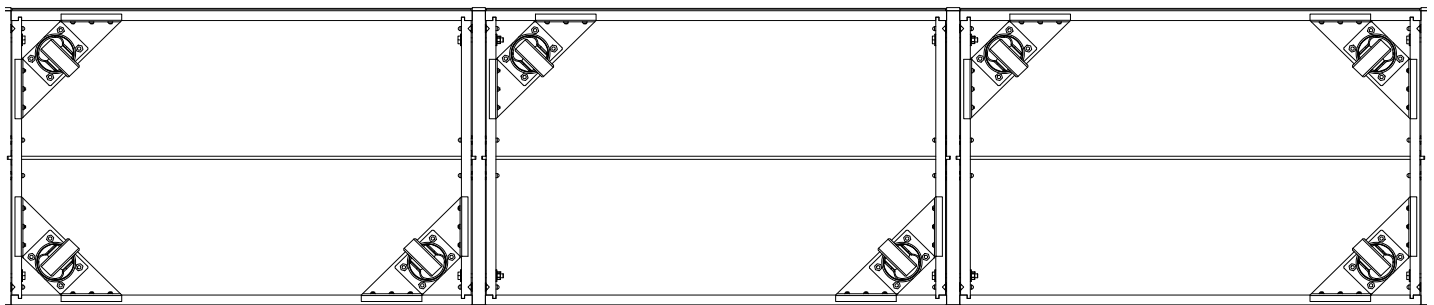
Casters (mobile units only)

- Place casters in all four corners of the unit.
- Secure using screw #50042.
- *island unit shown*



Casters (starter, adder, end)

- Starter units will get 3 casters.
- Adder units will get 2 casters.
- End units will get 3 casters.
- *set the casters up as seen in the image below*

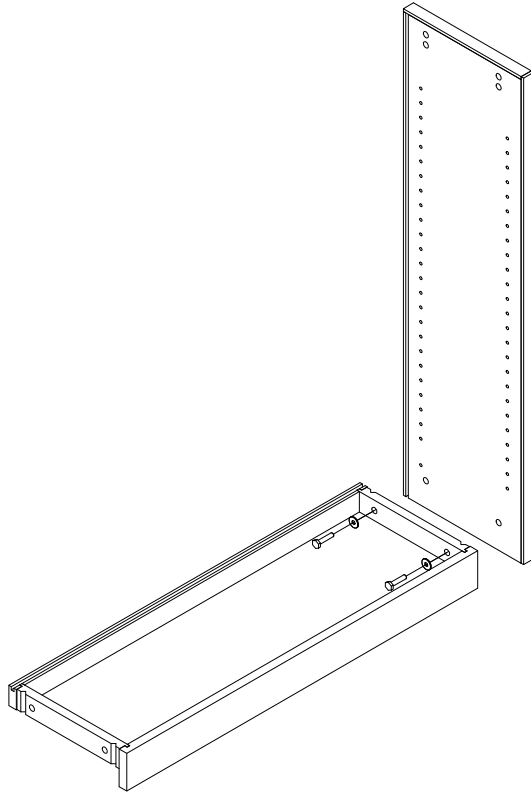


starter

adder

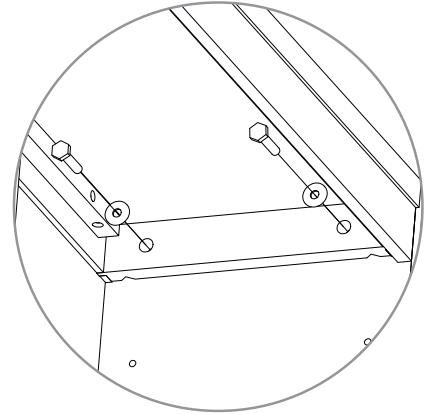
end

2

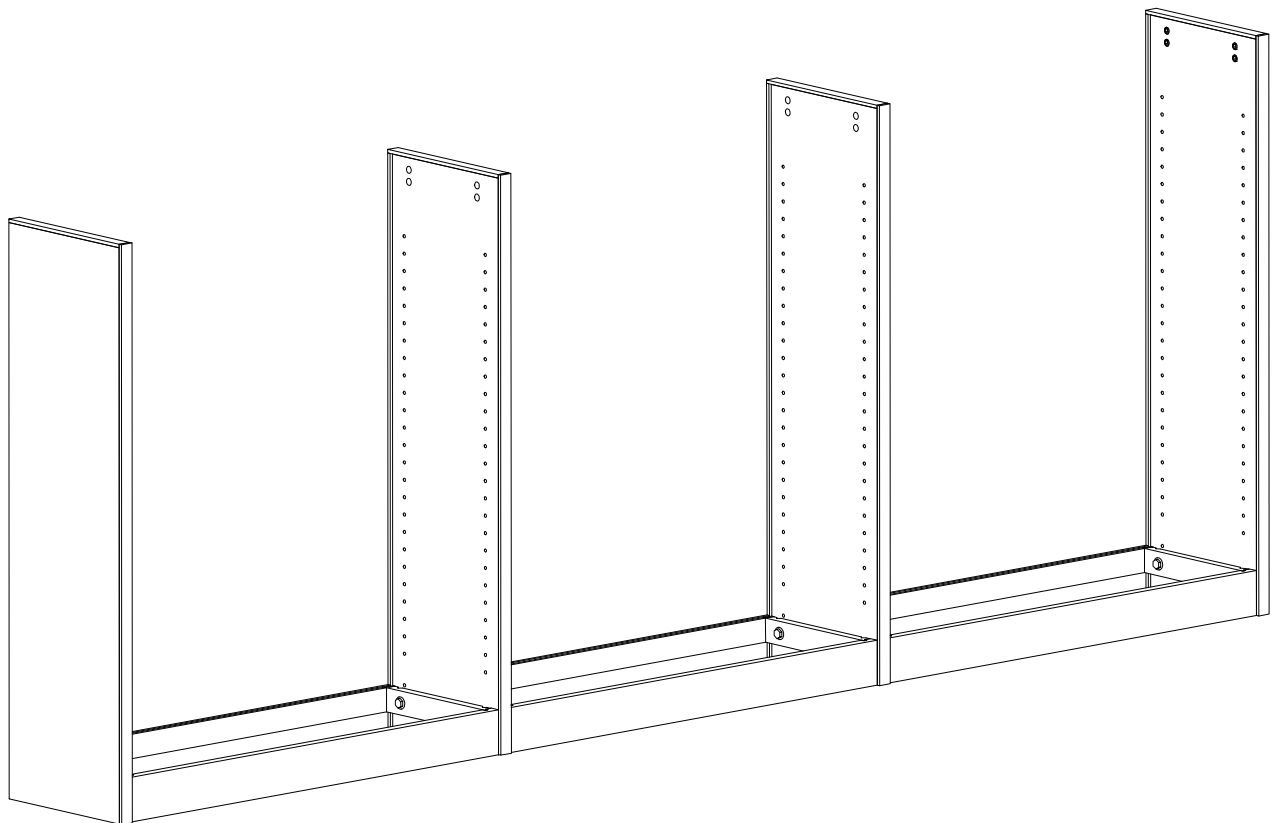


Base & Panel

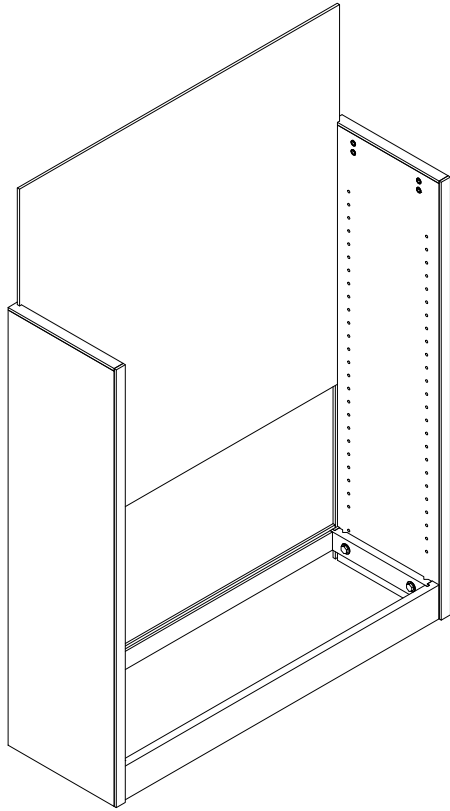
- Attach base frame to end panel using #50093 hex head bolt with #50032 washer.
- Intermediate Panels will use bolt #50092, nut #50033 and washer #50032.



intermediate panel

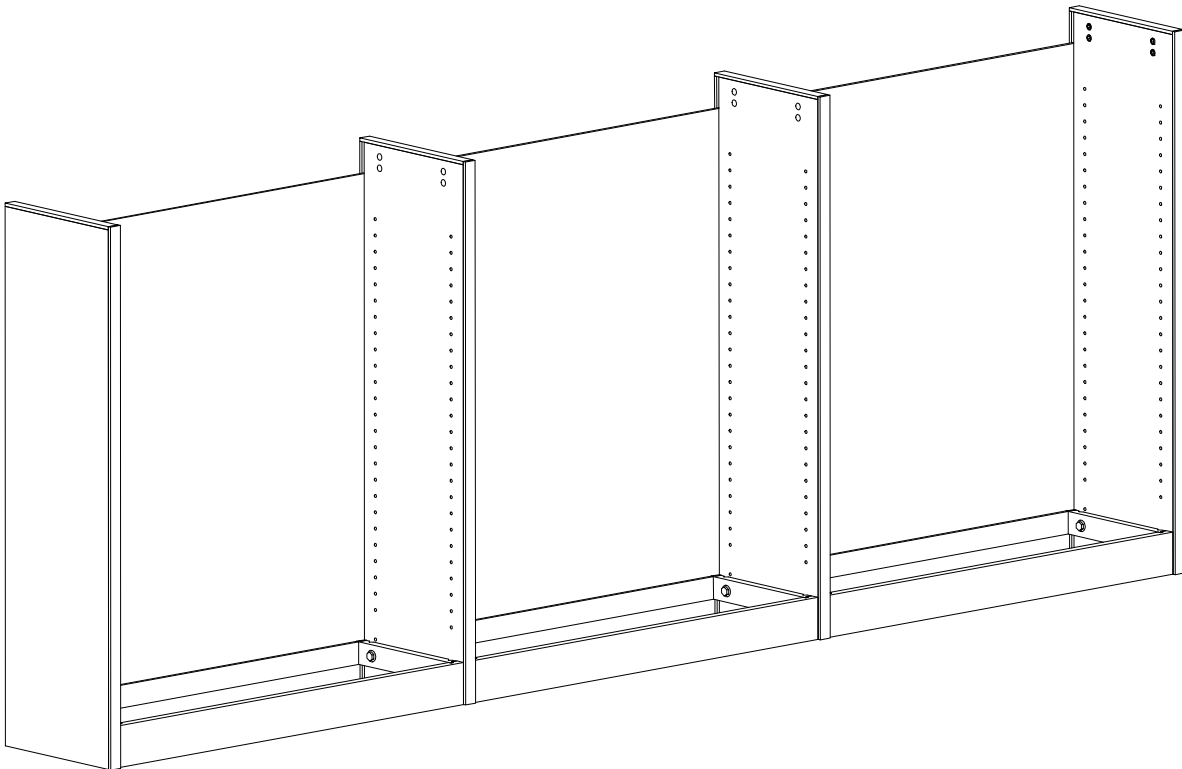


3

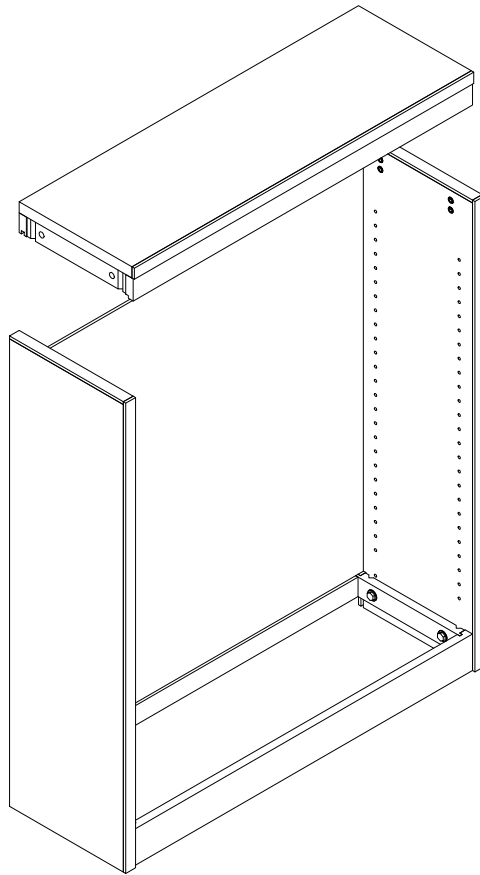


Back Panels

- Slide the back panel into the pre-routed grooves in the end and intermediate panels.



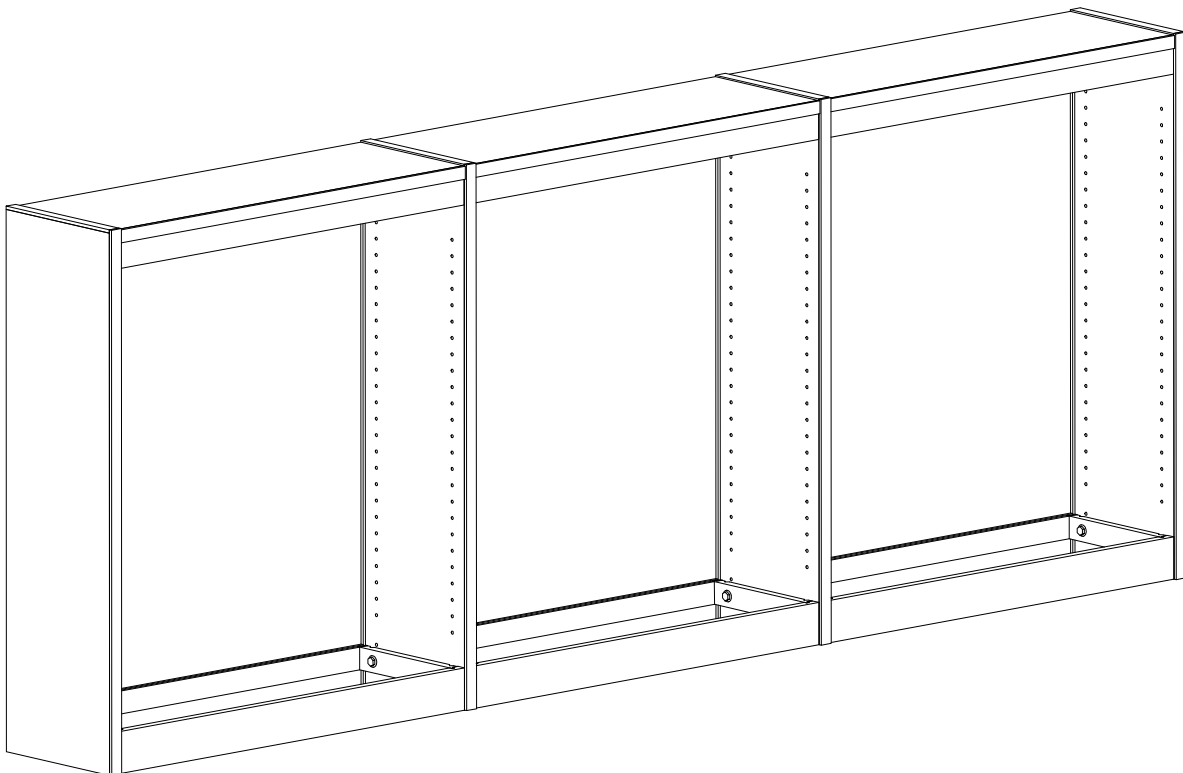
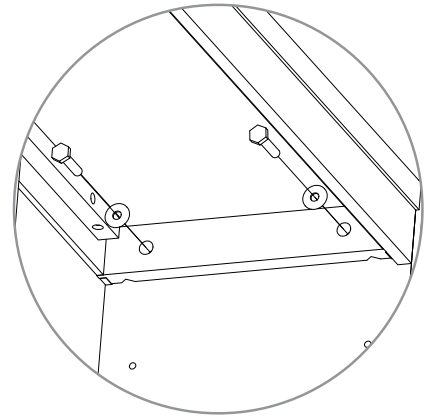
4



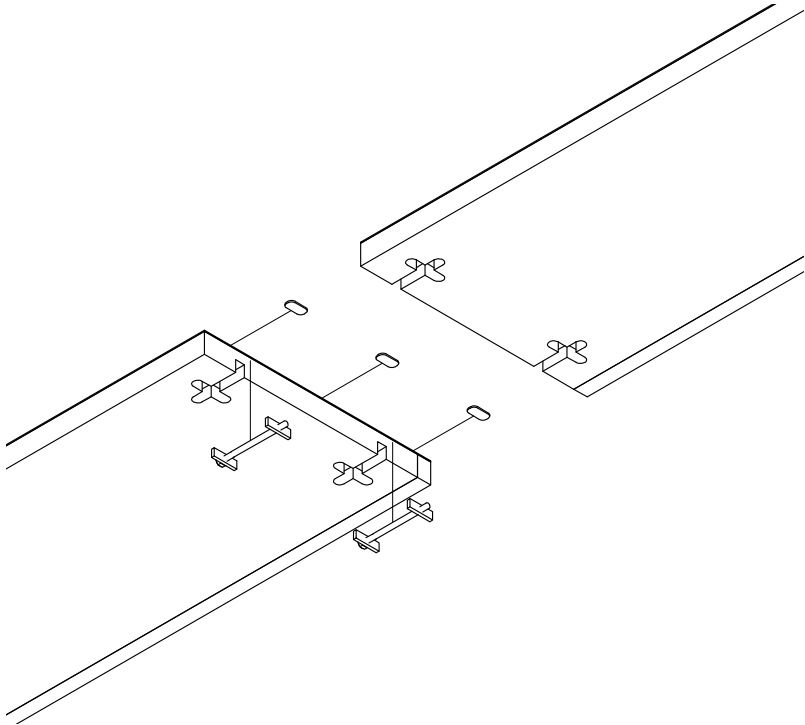
Top Frame

**Please see page 9 for shelving 72" H and above.*

- Align the top frame with the back panel.
- Secure using #50093 hex head bolt with #50032 washer.
- If you are securing to an intermediate panel use bolt #50092, nut #50033, and washer #50032.

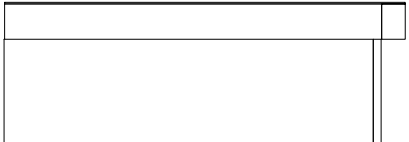


5



Continuous Top *(cont.)*

- For **starter, adder, and end** continuous tops you will need to use splines and tite joints to secure the tops together.

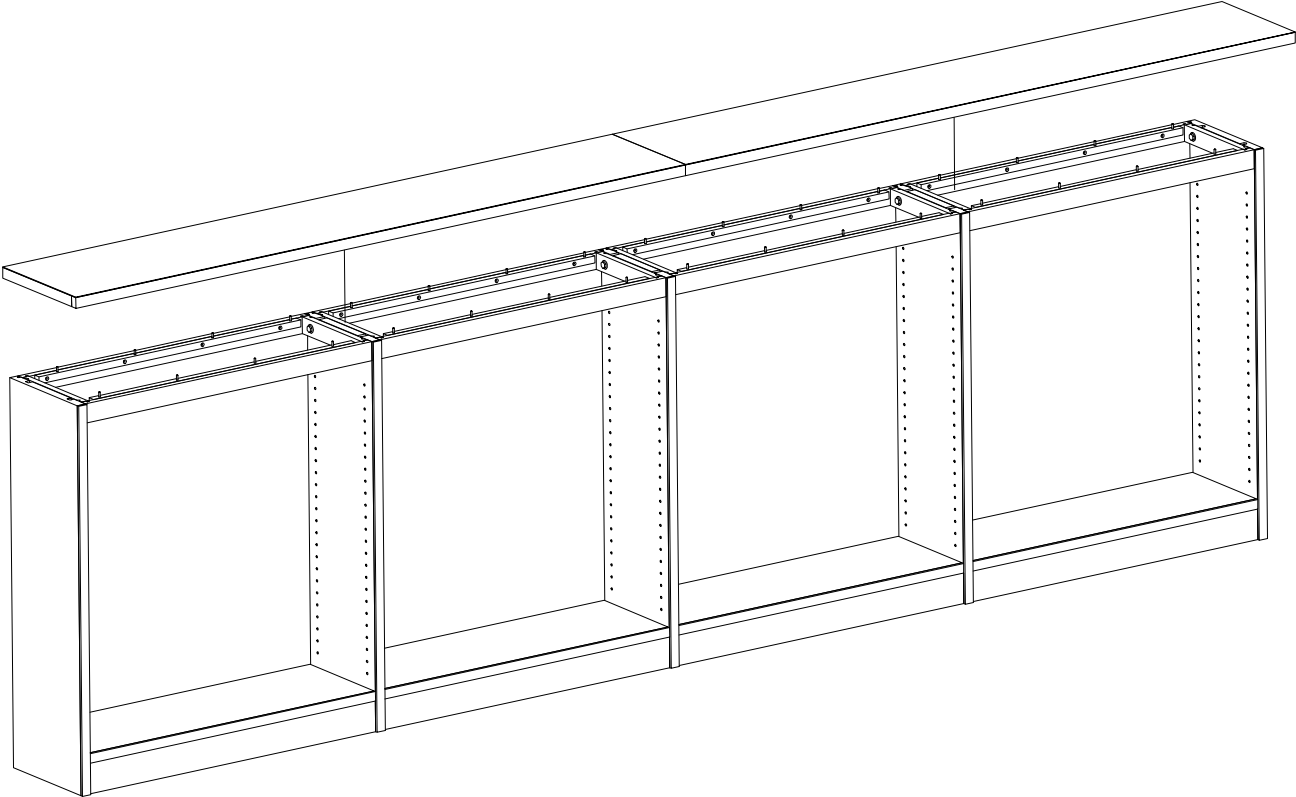


single face

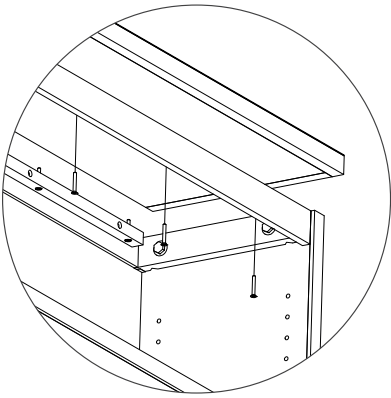


double face

6

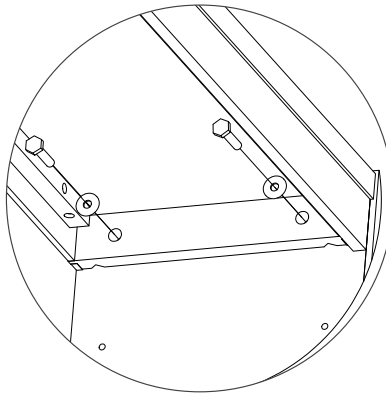


Continuous



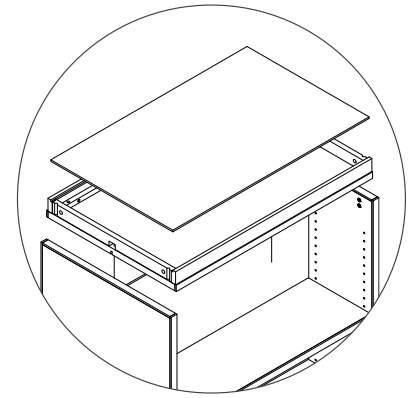
- Secure to the bolt hole using #50093 hex head bolt with #50032 washer.
- If you are securing to an intermediate panel use bolt #50092, nut #50033 and washer #50032.
- Place the continuous top and secure to the top frame cleats using screws #50004.

Modular



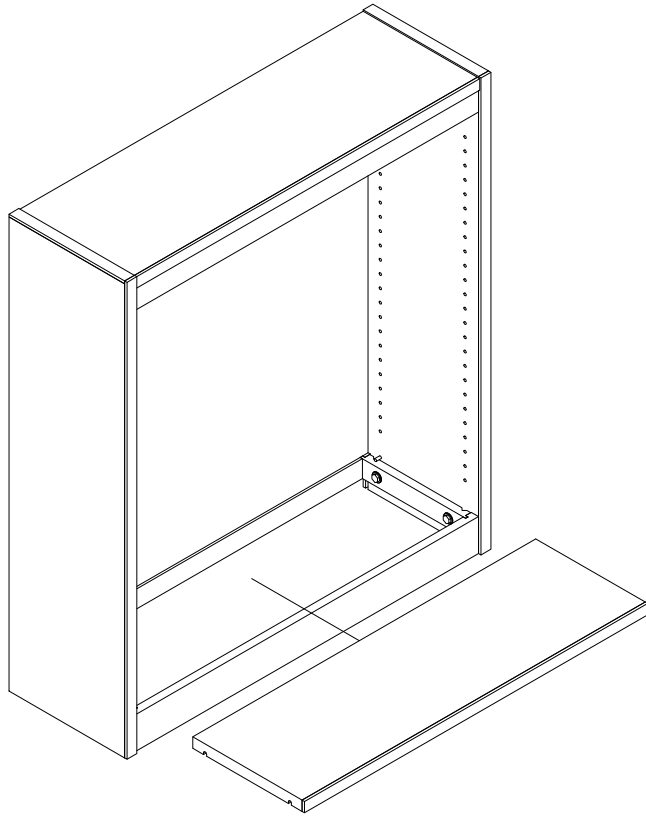
- Secure to the lower bolt hole using #50093 hex head bolt with #50032 washer.
- If you are securing to an intermediate panel use bolt #50092, nut #50033 and washer #50032.

Modular (Interverted) *For 72" H and above.*



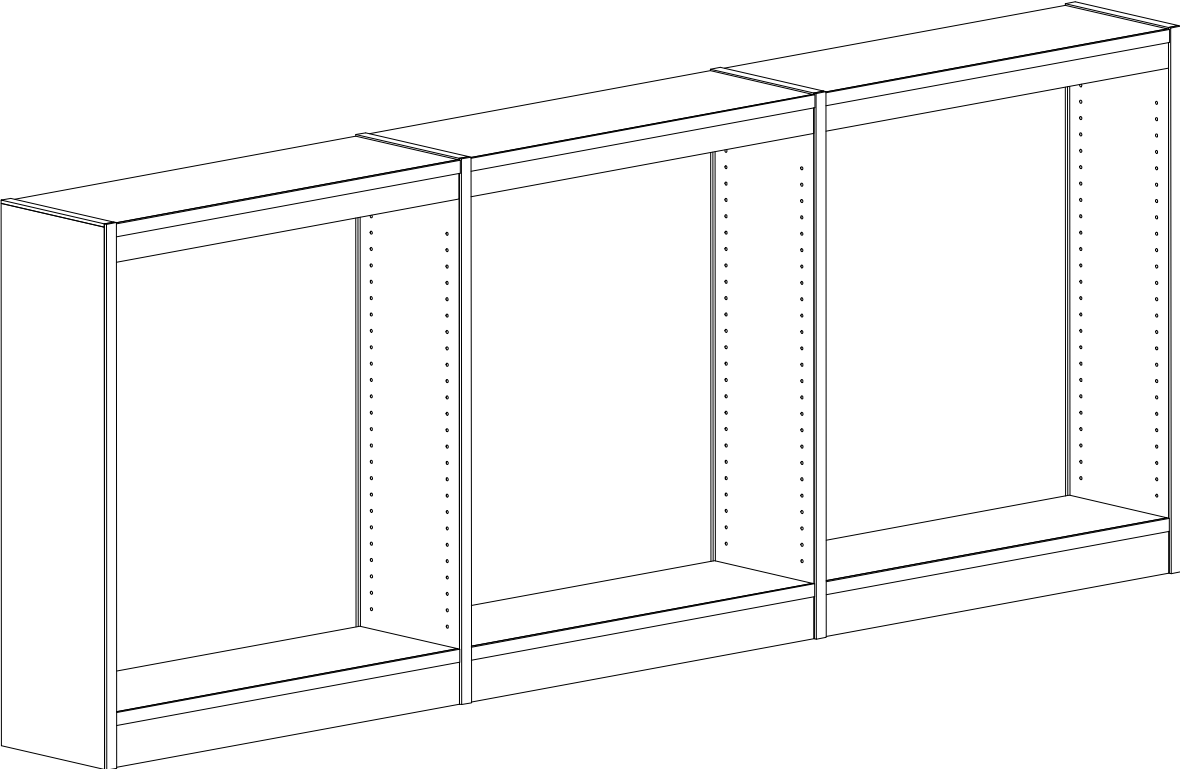
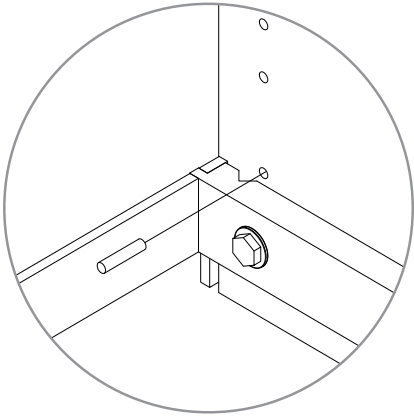
- Secure to the upper bolt hole using #50093 hex head bolt with #50032 washer.
- If you are securing to an intermediate panel use bolt #50092, nut #50033 and washer #50032.
- Place the top cover.

7

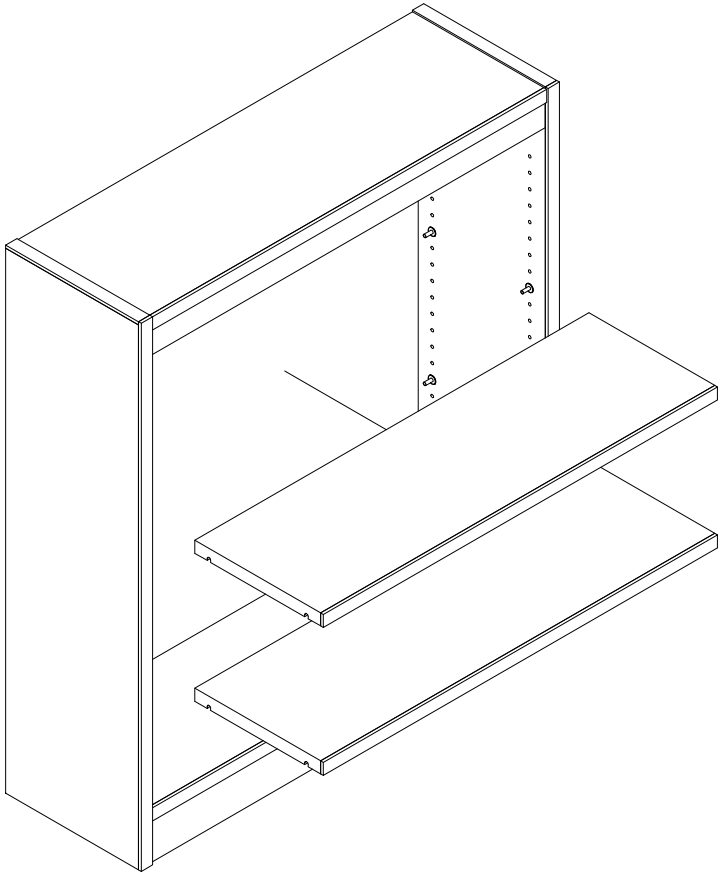


Bottom Shelf

- Insert shelf pin #4703125000 into the pre-drilled holes.
- Place the bottom shelf.

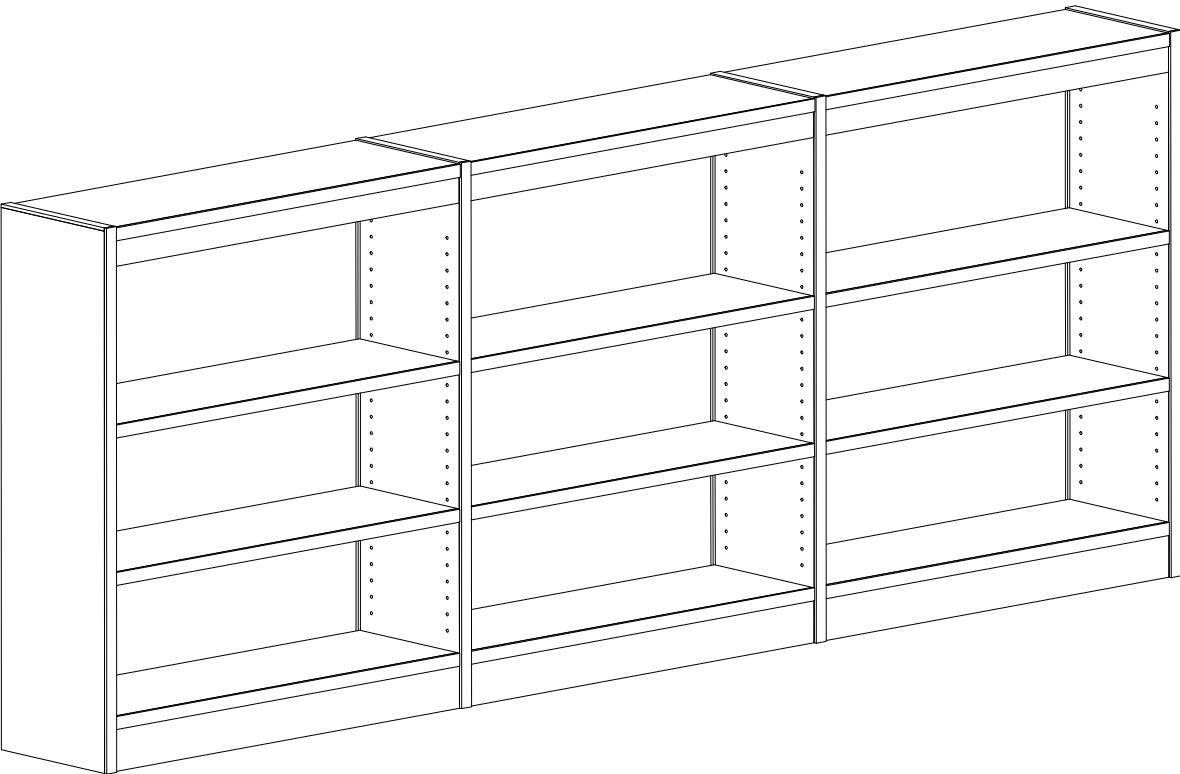
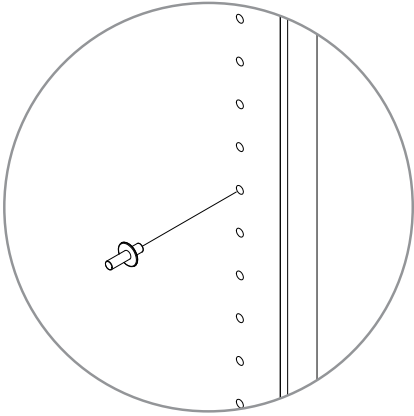


8

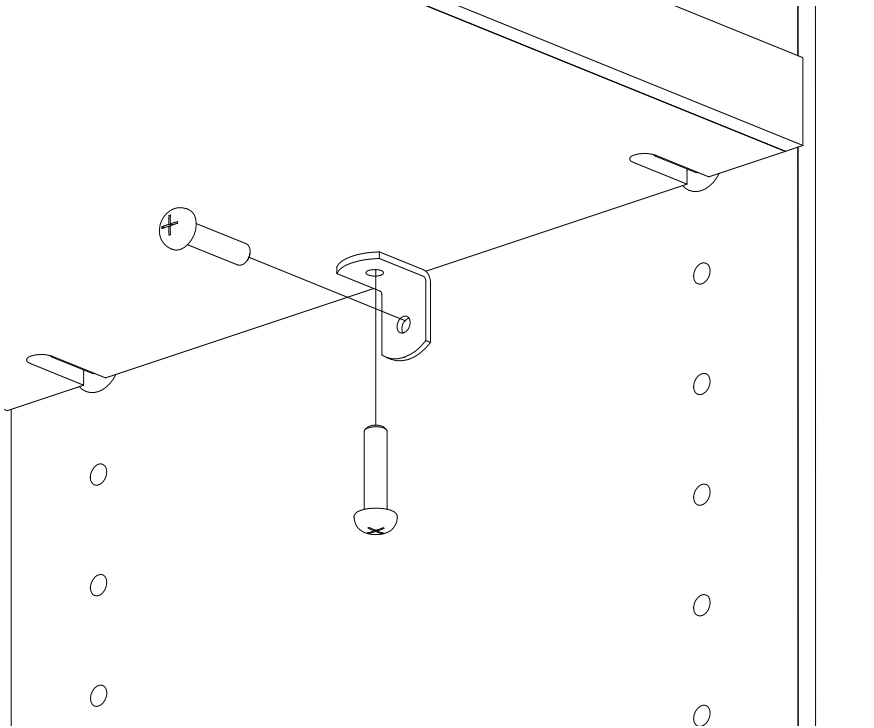


Shelves

- Insert shelf pins #48082 into the pre-drilled holes.
- Place the shelves onto the pins.
- Recommended spacing is 9 to 11 pin holes to accommodate most books.



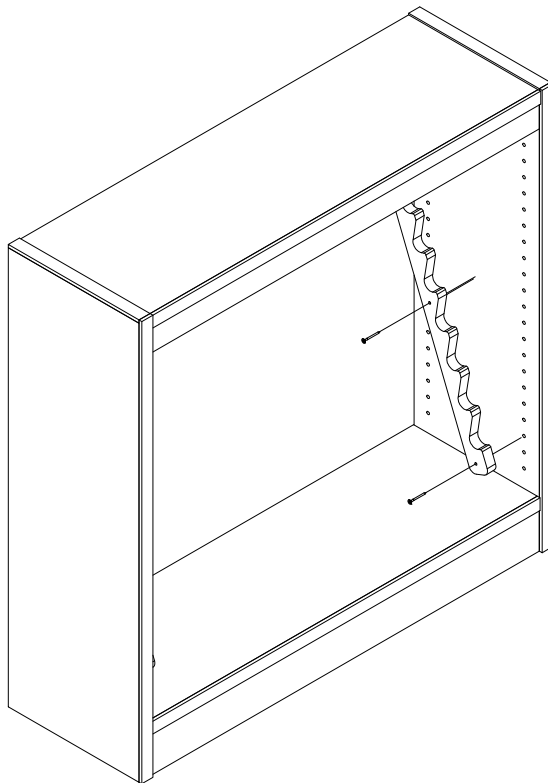
9



Fixed Shelf

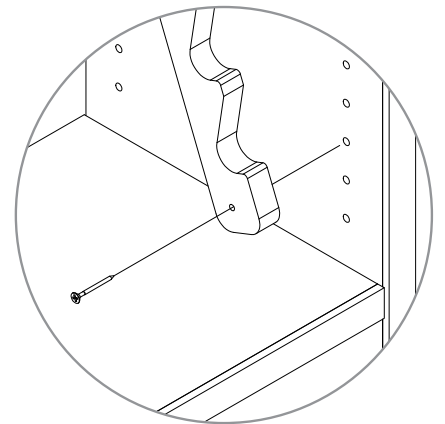
- For units over 60" H use bracket #52040 and screw #50042 to secure the middle shelf to the end and/or intermediate panels.

10

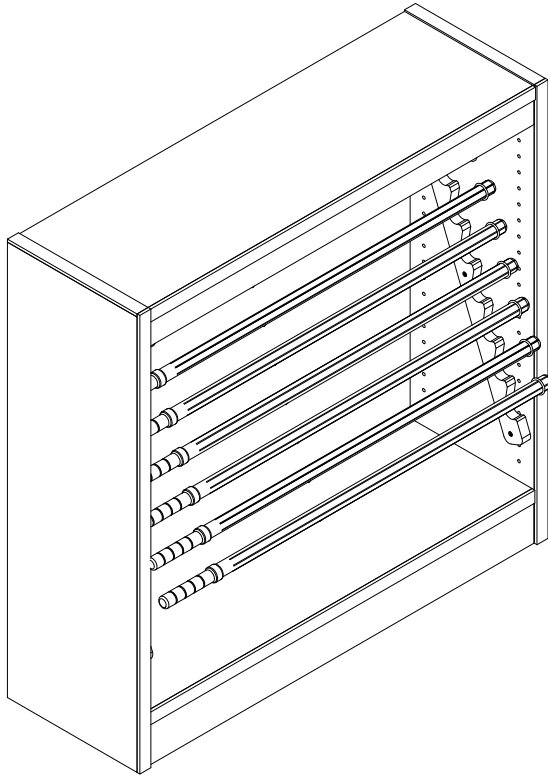


Newspaper Rack

- Attach the wand bracket to the end/intermediate panels using screw #50005.

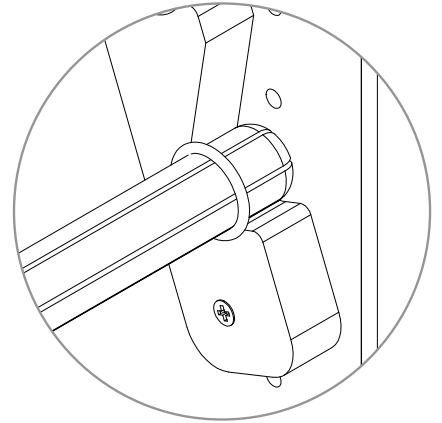


11

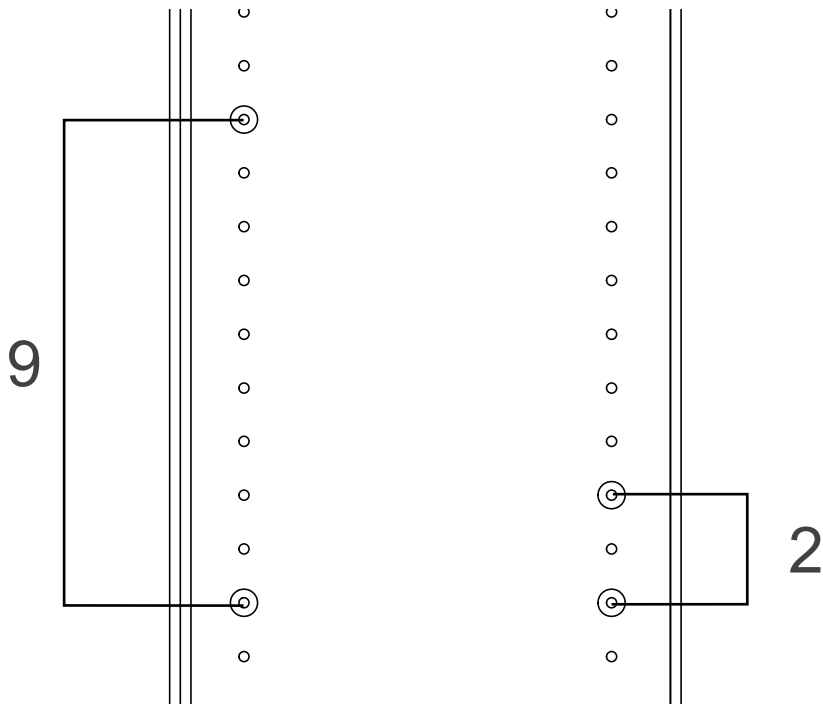


Newspaper Rack (cont.)

- Place the included newspaper wands in the desired slots.



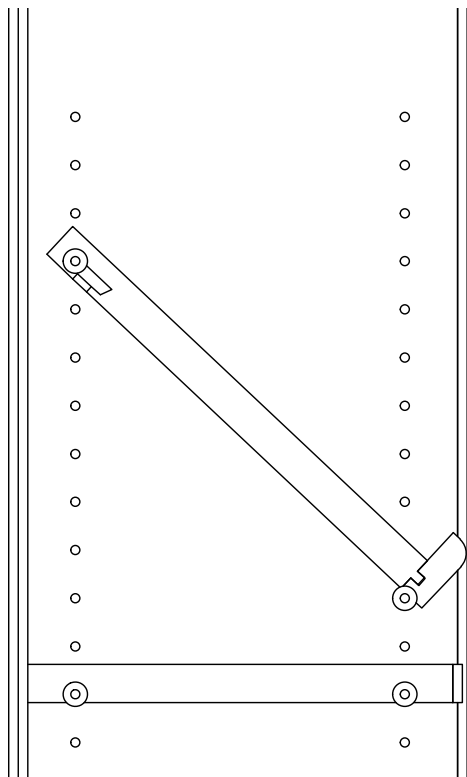
12



Magazine Shelf

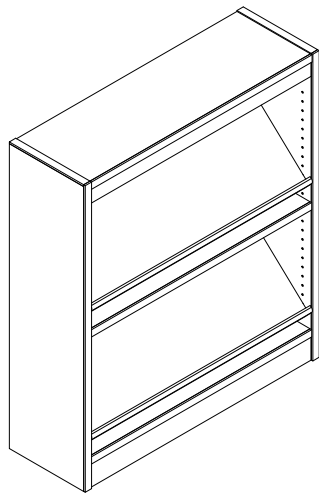
- Insert shelf pins #48082 into the pre-drilled holes.
- Count up 9 holes from the back shelf pins and 2 holes up from front shelf pins, per magazine shelf.

13

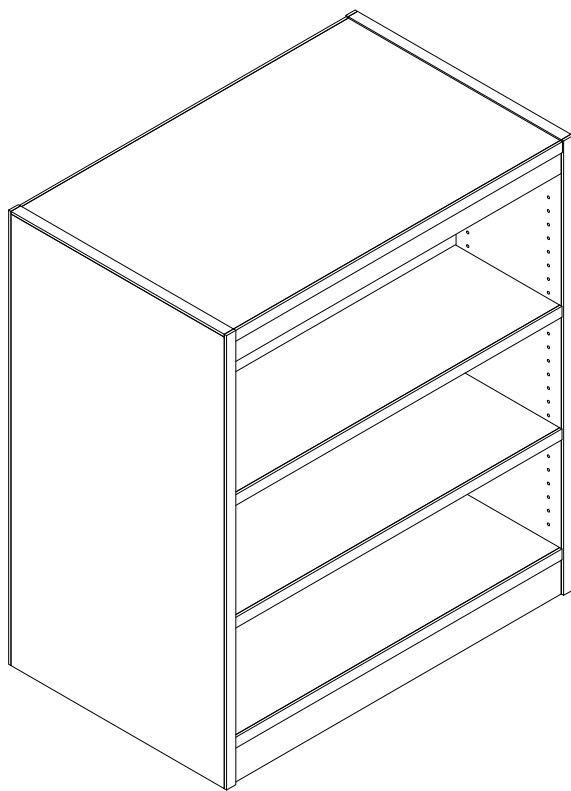
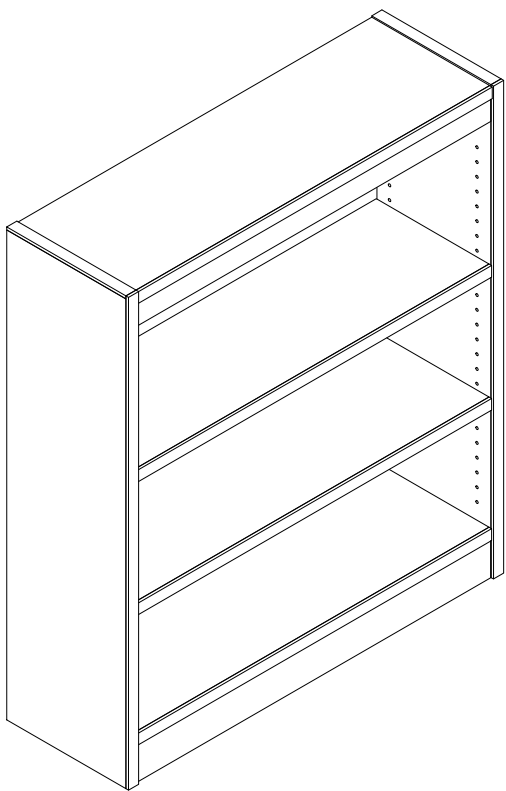


Magazine Shelf (cont.)

- Place the shelves onto the pins.



14





design the furniture. *innovate* the space. *engage* the users.

liatfurniture.com

694 North Main Street · Troutman, NC 28166
TF 888 440 8205 · F 704 528 6519