

Ordering Information

Ordering Information Checklist

Use this checklist to be sure you have all of the necessary information to order your Titan unit.

Catalog Number

Use our build guides to create your Titan catalog number.

Metal

Powder Coated Steel

Steel Gray	Black
Textured Black	Silver
White	

Fabrics & Textiles

Please specify manufacturer, fabric, color, and product number.

Specifications Guide

Pedestal Specifications

Basic Construction

All Titan products meet or exceed applicable ANSI-BIFMA standards for durability and safety.

A welded steel frame construction and formed channels ensure strength in key areas.

Top and side channels are 18 – 21 gauge cold rolled steel.

Outer panels and drawer bins are 22 gauge steel; drawer fronts are 20 gauge steel.

Freestanding, mobile, and cushion pedestals include a factory-installed counterweight.

Four leveling glides with 1-5/8" adjustment ensure proper drawer alignment and operation.

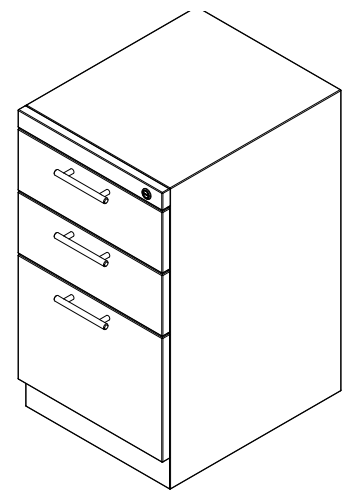
All drawers include full-extension steel ball-bearing slides.

Slides include "anti-rebound" and "quick disconnect" features.

Drawer fronts include rubber bumpers for quiet operation.

1-1/2" cushion attaches with dual-lock strips.

Mobile units include 2 locking and 2 non-locking black 37mm plastic casters.

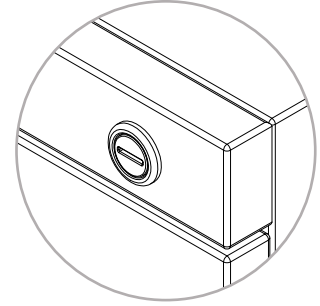


Lock System

Pedestals come standard with randomly-assigned LL Series locks (#226-325).

LL locks are satin nickel and scalloped, master-keyed, and core-removable.

For key alike service, please specify the desired key sequence on your PO. Cores and keys will ship separately.



Inner Drawer Dimensions

Inside clear drawer bin width:

all pedestals: 21.125"

Inside clear drawer bin depths:

18" deep pedestal: 15.2".

22" deep pedestal: 18.25".

28" deep pedestal: 24.25".

Inside clear drawer bin height:

file drawer: 9.5".

box drawer: 4.5".

pencil drawer: 1.75".

Drawer Load Capacity

3" pencil drawer: 50 lbs.

6" pencil drawer: 50 lbs.

12" file drawer: 70 lbs.

Lateral Specifications

Basic Construction

All Titan products meet or exceed applicable ANSI-BIFMA standards for durability and safety.

A welded steel frame construction and formed channels ensure strength in key areas.

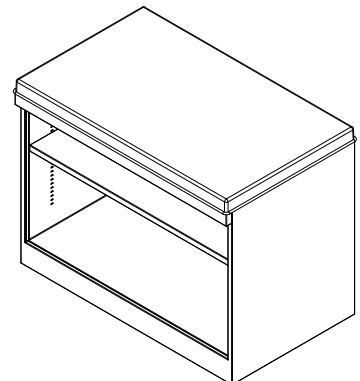
Inner frame is 20 gauge metal. Fronts, tops, outer panels are 20 and 22 gauge. Drawer bins and shelves are 28 and 20 gauge.

Four leveling glides with 1-1/4" adjustment ensure proper drawer alignment and operation.

All drawers include full-extension steel ball-bearing slides.

Two file bars are included in each drawer, for side-to-side filing.

All lateral drawer bins will accommodate A4, Letter, and Legal size filing.



Slides include “anti-rebound” and “quick disconnect” features.

A safety interlock mechanism is integrated into the slides, allowing only one drawer to open at a time.

Drawer fronts include rubber bumpers for quiet operation.

Shelves are adjustable in ½” increments.

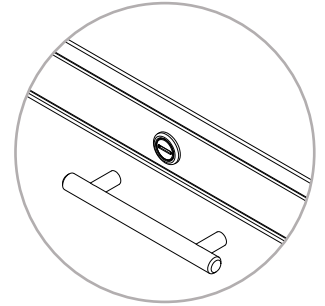
1-1/2” cushion attaches with dual-lock strips.

Lock System

Laterals with drawers come standard with randomly-assigned LL Series locks (#226-325).

LL locks are satin nickel and scalloped, master-keyed, and core-removable.

For key alike service, please specify the desired key sequence on your PO. Cores and keys will ship separately.



Inner Drawer Dimensions

Inside clear drawer bin widths:

30” bin: 26.7”.

36” bin: 32.7”.

42” bin: 38.7”.

Inside clear drawer bin depths:

All laterals: 16”.

Inside clear drawer bin height:

file drawer: 9.5”.

box drawer: 4.5”.

Load Capacity

Drawers: 125 lbs.

Fixed and adjustable shelf weight capacity:

30” shelf: 95 lbs.

36” shelf: 116 lbs.

42” shelf: 136 lbs.

Load capacity of top of all lateral files:

30” wide: 140 lbs.

36” wide: 168 lbs.

42” wide: 192 lbs.

Storage Cabinet Specifications

Basic Construction

All Titan products meet or exceed applicable ANSI-BIFMA standards for durability and safety.

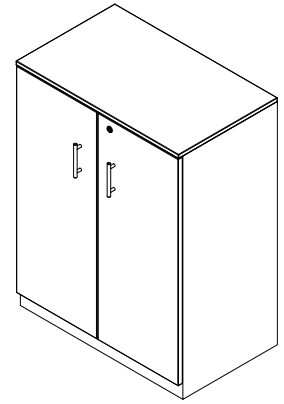
A welded steel frame construction and formed channels ensure strength in key areas.

Top, back, side, and center panels are 21 gauge metal.

Shelves are 28 gauge steel.

Bottom pad is 16 gauge steel.

Shelves are adjustable in ½" increments.

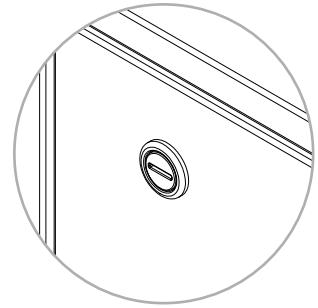


Lock System

Storage cabinets come standard with randomly-assigned LL Series locks (#226-325).

LL locks are satin nickel and scalloped, master-keyed, and core-removable.

For key alike service, please specify the desired key sequence on your PO. Cores and keys will ship separately.



Load Capacity

Fixed and adjustable shelf weight capacity:

30" shelf: 95 lbs.

36" shelf: 116 lbs.

42" shelf: 136 lbs.